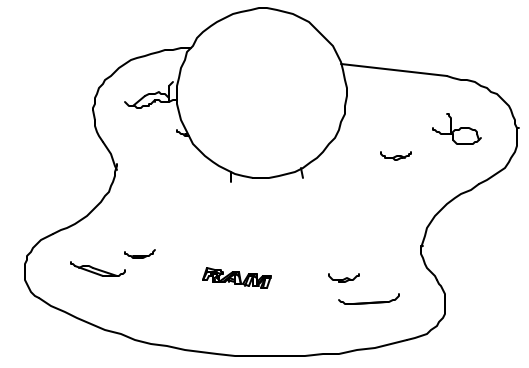
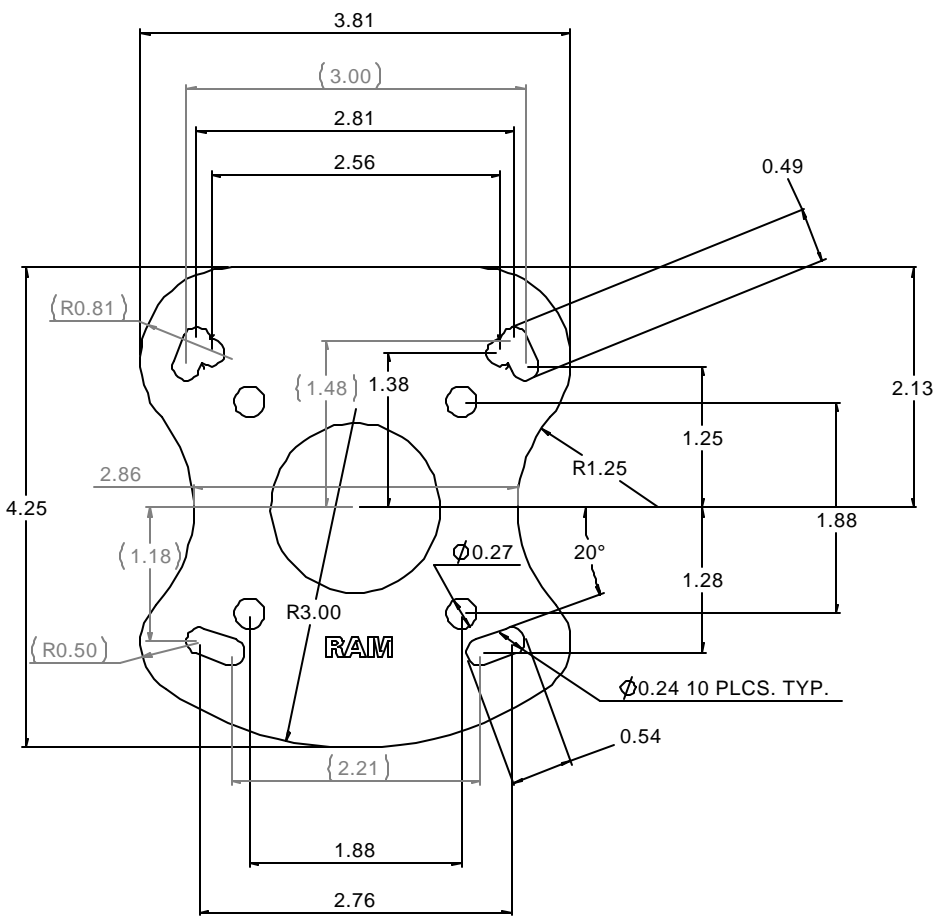
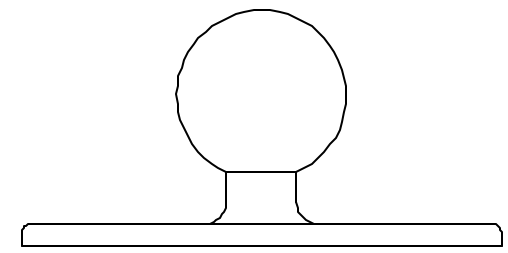
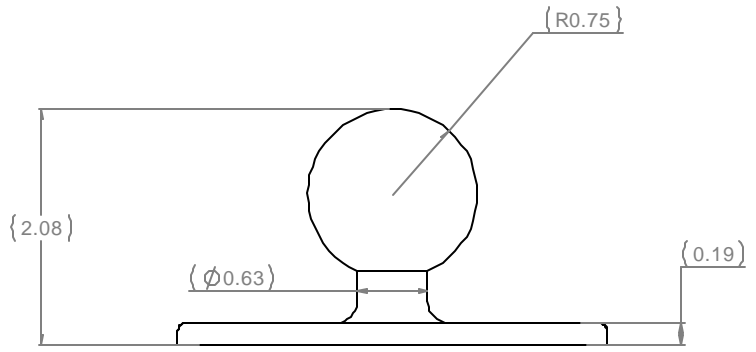


THE INFORMATION CONTAINED IN THIS DRAWING IS THE SOLE PROPERTY OF NATIONAL PRODUCTS INC. ANY REPRODUCTION IN PART OR WHOLE WITHOUT THE WRITTEN PERMISSION OF NATIONAL PRODUCTS INC. IS PROHIBITED.

REV	DESCRIPTION	REVISION	DATE	APPROVED



UNLESS OTHERWISE SPECIFIED DIMENSIONS ARE IN INCHES TOLERANCES ARE: FRACTIONS DECIMALS ANGLES - .125 - .001 - .001 - 1 DIG XXX - .030	CAD GENERATED DRAWING DO NOT MANUALLY UPDATE		NATIONAL PRODUCTS INC.	
	APPROVALS	DATE	RAM BASE WITH 1.5" DIA. RUBBER BALL HUMMINBIRD, APELCO	
DRAWN	JDC	04/20/01		
CHECKED	CMR	04/20/01		
MATERIAL	ALUMINUM	REP'G		
FRESH	BLACK POWDER COAT	DRG'G		
DO NOT SCALE DRAWING	DWG'G	SCALE	1 TO 1 (CAD) IN	
		REV	RAM-107B	
		SCALE	1 TO 1 (CAD) IN	SHEET 1 OF 1