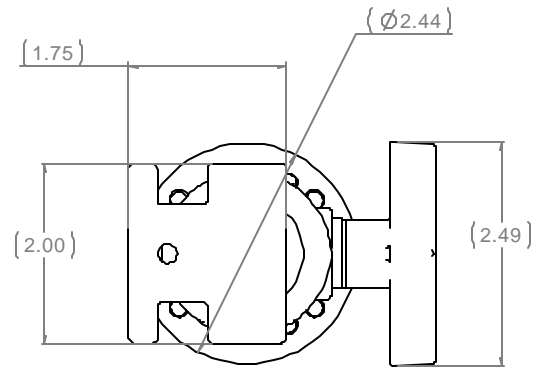
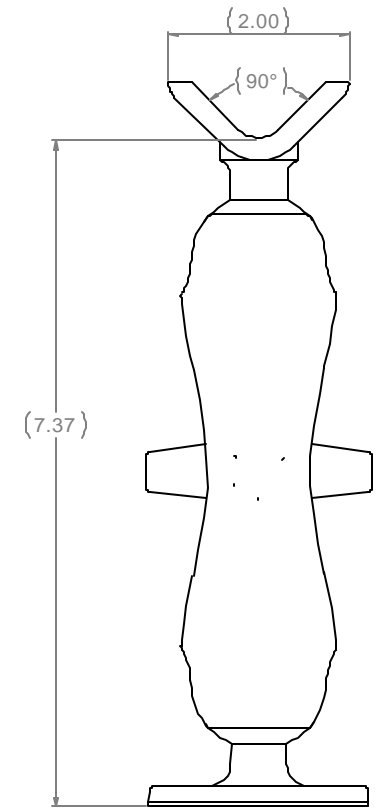
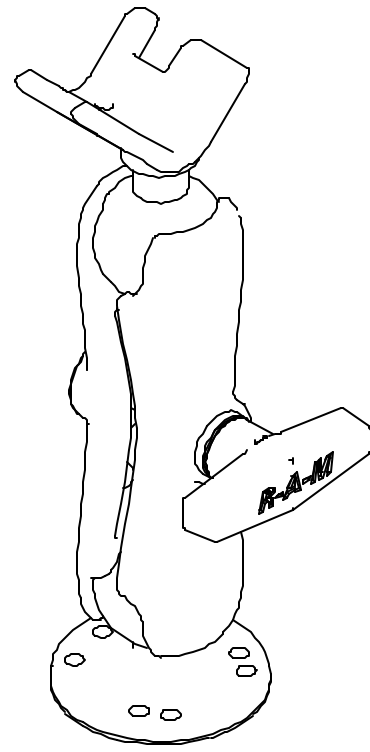
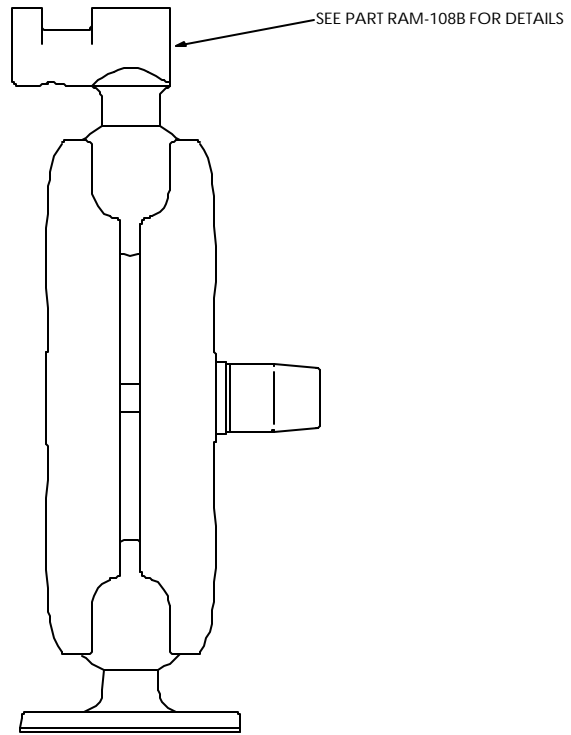


THE INFORMATION CONTAINED IN THIS DRAWING IS THE SOLE PROPERTY OF NATIONAL PRODUCTS INC. ANY REPRODUCTION IN PART OR WHOLE WITHOUT THE WRITTEN PERMISSION OF NATIONAL PRODUCTS INC. IS PROHIBITED.

REV	DESCRIPTION	REVISION	DATE	APPROVED



UNLESS OTHERWISE SPECIFIED DIMENSIONS ARE IN INCHES TOLERANCES ARE: FRACTIONS DECIMALS ANGLES - .125 - .XX - .00 - - 1 DEG XXX - .000	CAD GENERATED DRAWING DO NOT MANUALLY UPDATE		NATIONAL PRODUCTS INC.	
	APPROVALS	DATE	RAM TROLLING MOTOR STABILIZER MOUNT	
	JDC	04/20/01		
	CHECKED	04/20/01	RAM-108	
MATERIAL	ALUMINUM	REP'ING	SCALE 1 TO 1 CAD FILE	SHEET 1 OF 1
FRESH	BLACK POWDER COAT	DRAW'ING	DATE	REV
DO NOT SCALE DRAWING				