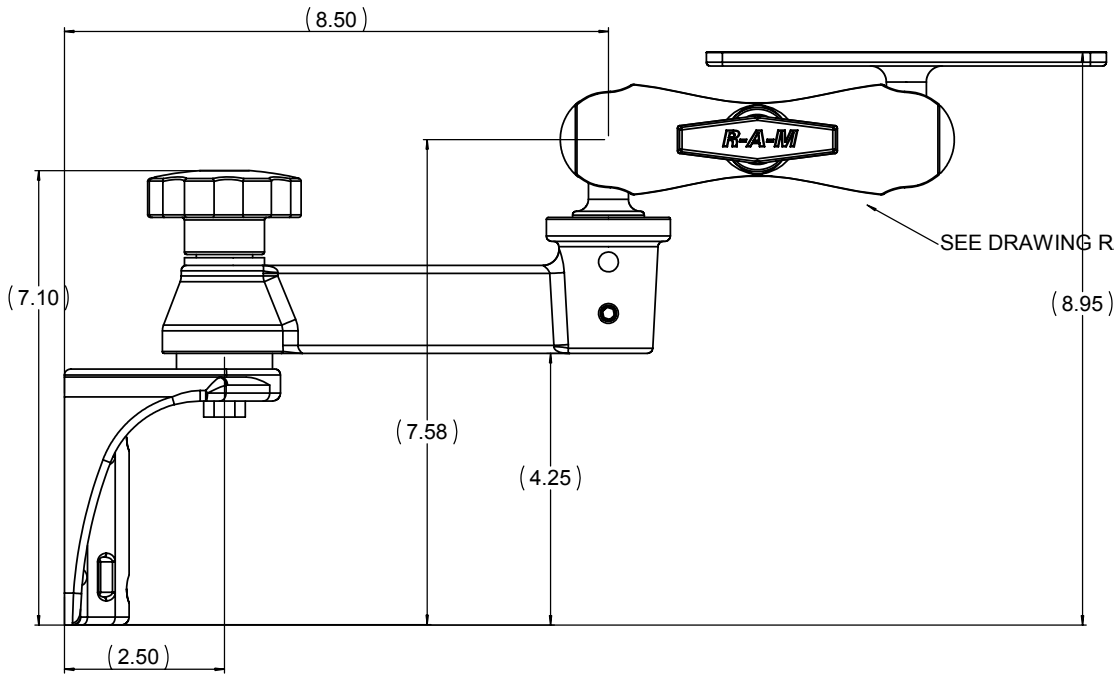
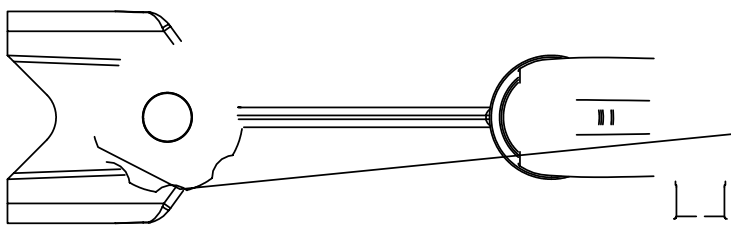
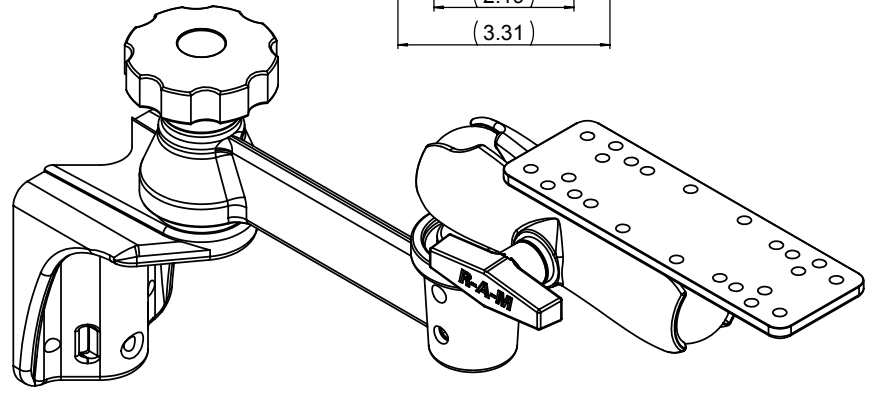
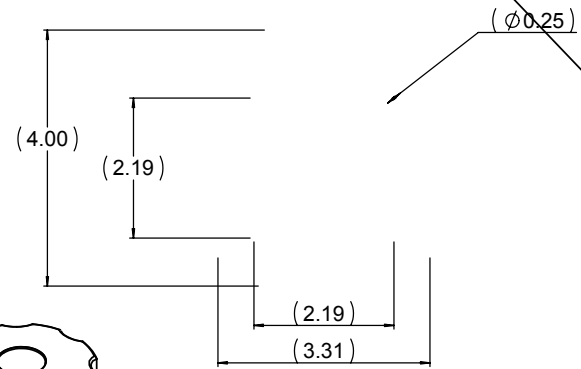


THE INFORMATION CONTAINED IN THIS DRAWING IS THE SOLE PROPERTY OF NATIONAL PRODUCTS INC. ANY REPRODUCTION IN PART OR WHOLE WITHOUT THE WRITTEN PERMISSION OF NATIONAL PRODUCTS INC. IS PROHIBITED.

REV.	DESCRIPTION	REVISIONS	DATE	APPROVED



SEE DRAWING RAM-201 FOR ARM DETAILS



UNLESS OTHERWISE SPECIFIED DIMENSIONS ARE IN INCHES TOLERANCES ARE: FRACTIONS DECIMALS ANGLES +/- 1/32 .XXX+ .06 +/- 1 DEG. .XXX+ .030	CAD GENERATED DRAWING. DO NOT MANUALLY UPDATE	NATIONAL PRODUCTS INC.	
MATERIAL: ALUMINUM	APPROVALS: DRAWN JDC 01/19/01 CHECKED CMR 04/20/01 RESP ENG	RAM VERTICAL BASE WITH 6" SWING ARM, DBL. SOCKET ARM & 2" X 6 1/4" PLATE WITH 1.5" DIA. RUBBER BALL	
FINISH: BLACK POWDER COAT	DATE: 04/20/01	SIZE: 1/2" X 1/2" X 1/2"	REV.:
DO NOT SCALE DRAWING	QUAL ENG:	SCALE: 1 TO 1	CAD FILE: RAM109V2 SHEET 1 OF 1