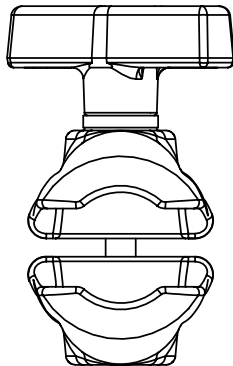
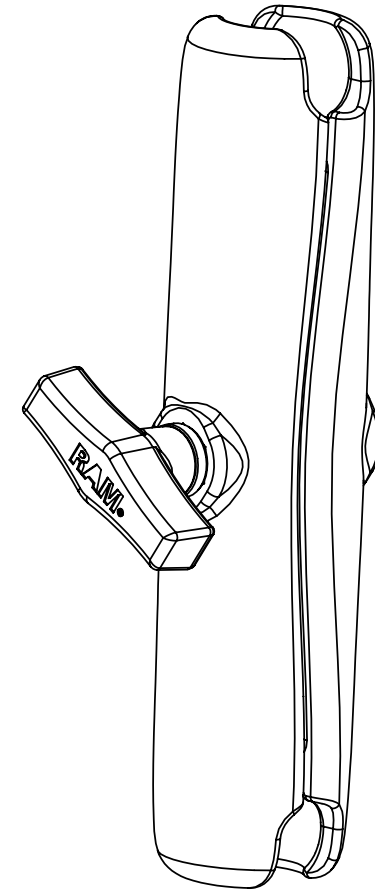
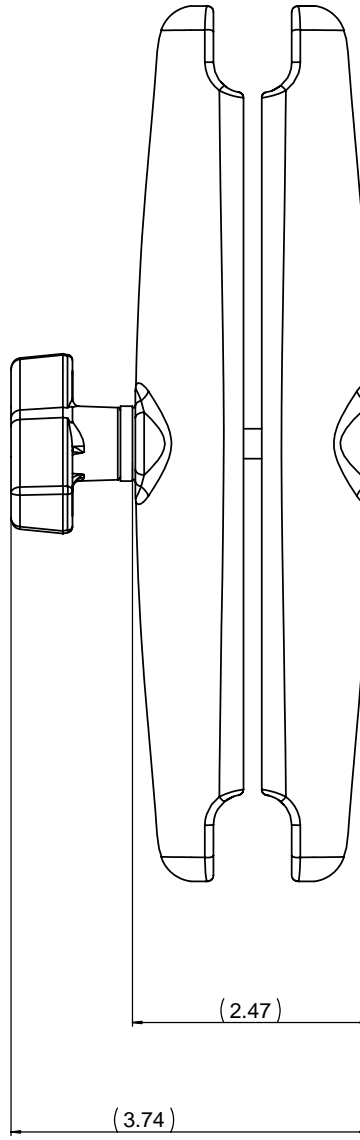
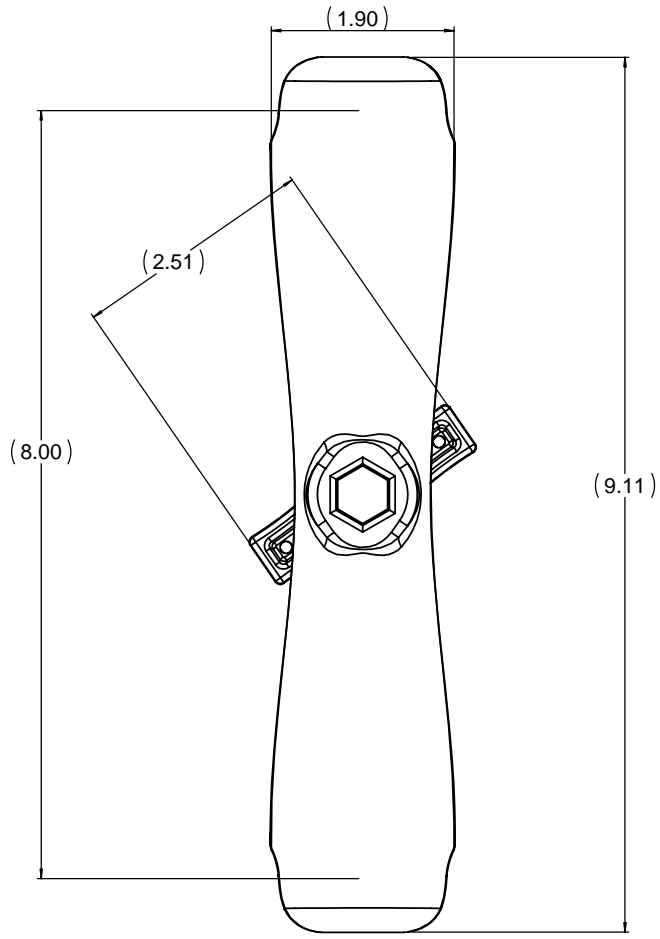


THE INFORMATION CONTAINED IN THIS DRAWING IS THE SOLE PROPERTY OF NATIONAL PRODUCTS INC. ANY REPRODUCTION IN PART OR WHOLE WITHOUT THE WRITTEN PERMISSION OF NATIONAL PRODUCTS INC. IS PROHIBITED.

REVISIONS		DATE	APPROVED
REV	DESCRIPTION		



UNLESS OTHERWISE SPECIFIED DIMENSIONS ARE IN INCHES TOLERANCES ARE: FRACTIONS: DECIMALS ANGLES + 1/32 -XX+ .03 +.1 DEG. XXX+ .010	CAD GENERATED DRAWING. DO NOT MANUALLY UPDATE		NATIONAL PRODUCTS INC.	
	APPROVALS	DATE	RAM DOUBLE SOCKET ARM 1 1/2" BALL DIA D LENGTH	
MATERIAL	DRAWN	CHECKED	DATE	REV
3003 ALUMINUM	JDC	CMR	01/05/07	RAM-201-D
FINISH BLACK POWDER COAT	DESIGNED	MANUFACTURED	SCALE 1 TO 1	CAD FILE: RAMZ01D
DO NOT SCALE DRAWING	QUAL ENG	ISS	REV	SHEET 1 OF 1