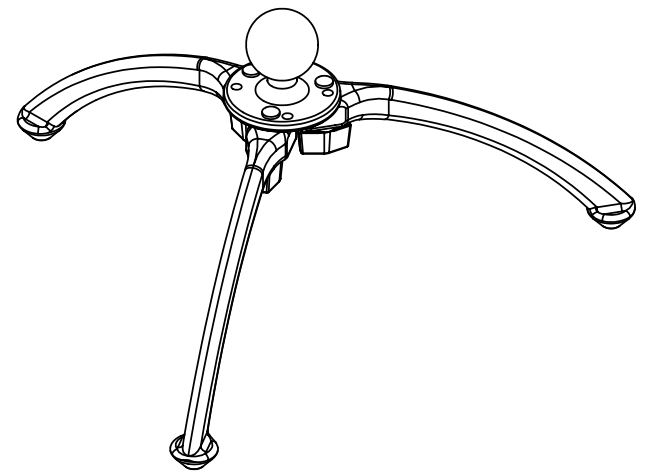
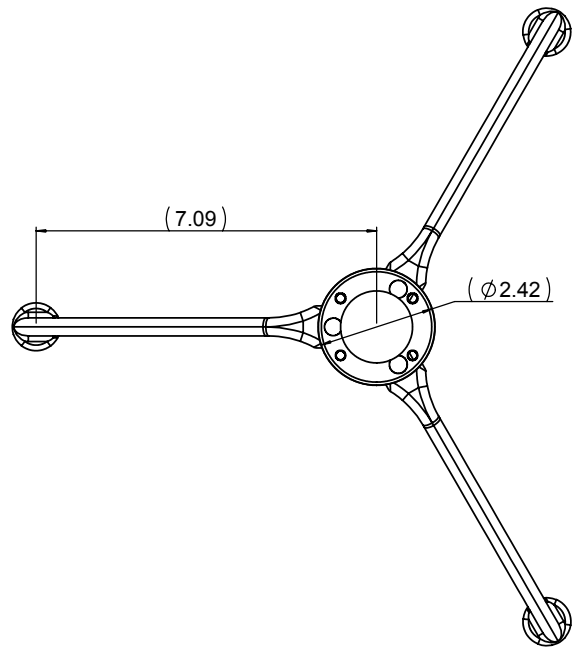
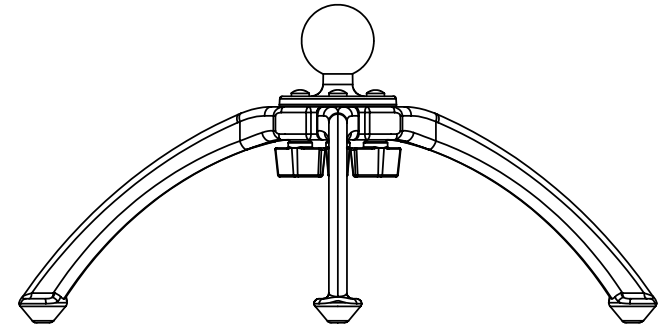
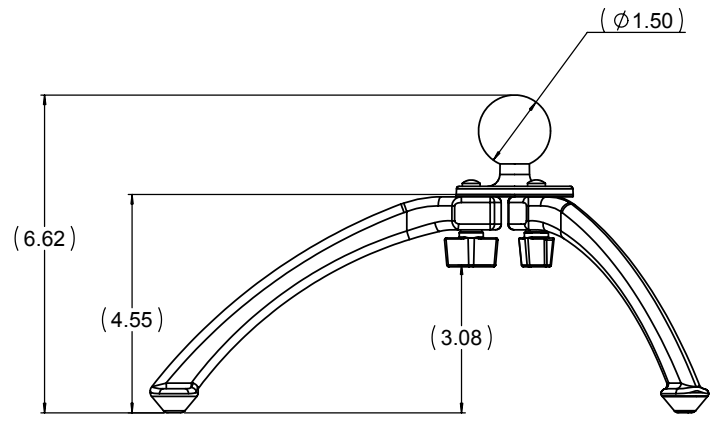


THE INFORMATION CONTAINED IN THIS DRAWING IS THE SOLE PROPERTY OF NATIONAL PRODUCTS INC. ANY REPRODUCTION IN PART OR WHOLE WITHOUT THE WRITTEN PERMISSION OF NATIONAL PRODUCTS INC. IS PROHIBITED.

REVISIONS		DATE	APPROVED
REV.	DESCRIPTION		



UNLESS OTHERWISE SPECIFIED DIMENSIONS ARE IN INCHES TOLERANCES ARE: FRACTIONS: DECIMALS ANGLES +/- 1/32 .XXX+-.06 +/- 1 DEG. .XXX+-.030	CAD GENERATED DRAWING. DO NOT MANUALLY UPDATE	NATIONAL PRODUCTS INC.	
MATERIAL: ALUMINUM	APPROVALS	DATE	RAM TRI-POD WITH 1 1/2" DIAMETER RUBBER BALL
FINISH: BLACK POWDER COAT	DRAWN: JDC	04/01/01	
DO NOT SCALE DRAWING	CHECKED: CMR	04/20/01	REV.
	REP. ENG.		SCALE: 1 TO 1
	MFG. ENG.		CAD. FILE: RAM205
	QUAL. ENG.		SHEET 1 OF 1