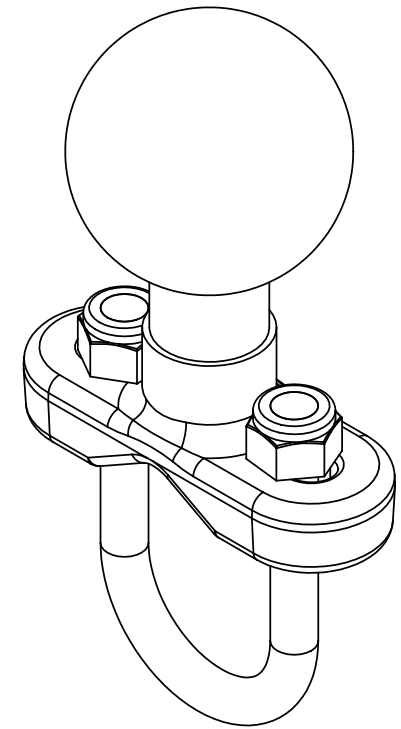
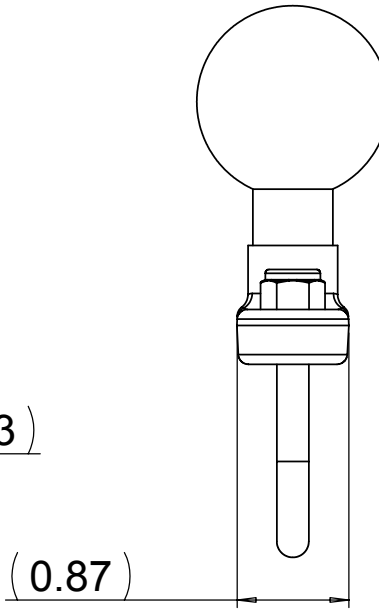
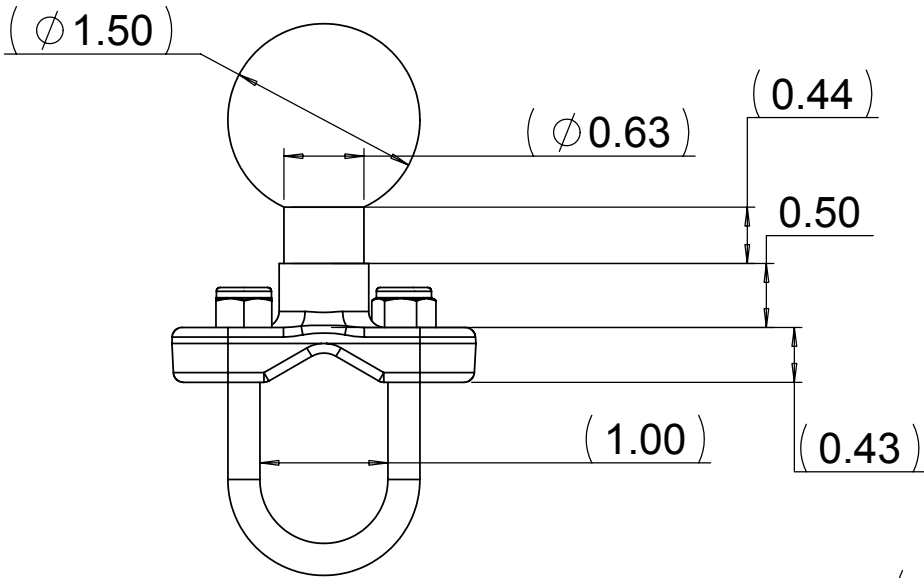
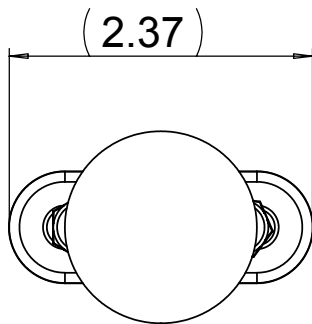


THE INFORMATION CONTAINED IN THIS DRAWING IS THE SOLE PROPERTY OF NATIONAL PRODUCTS INC. ANY REPRODUCTION IN PART OR WHOLE WITHOUT THE WRITTEN PERMISSION OF NATIONAL PRODUCTS INC. IS PROHIBITED.



1/4"-20 U-BOLT WITH NUTS



UNLESS OTHERWISE SPECIFIED DIMENSIONS ARE IN INCHES TOLERANCES ARE: FRACTIONS DECIMALS ANGLES + - 1/32 .XX+ -.06 + - 1 DEG. .XXX+ -.030	CAD GENERATED DRAWING. DO NOT MANUALLY UPDATE		NATIONAL PRODUCTS INC. 1017 S. ELMGROVE ST. SEATTLE, WA 98108	
	APPROVALS	DATE	RAM BASE WITH 1/4"-20 X 1" ID U-BOLT AND 1.5" DIA. RUBBER BALL	
DRAWN JDC	01/19/01			
CHECKED CMR	04/20/01			
MATERIAL ALUMINUM	RESP ENG		SIZE A	DWG. NO. RAM-231
FINISH BLACK POWDER COAT	MFG ENG		SCALE	CAD FILE: RAM231
DO NOT SCALE DRAWING	QUAL ENG		SHEET 1	OF 1

8 7 6 5 4 3 2 1

8 7 6 5 4 3 2 1

D
C
B
A

D
C
B
A