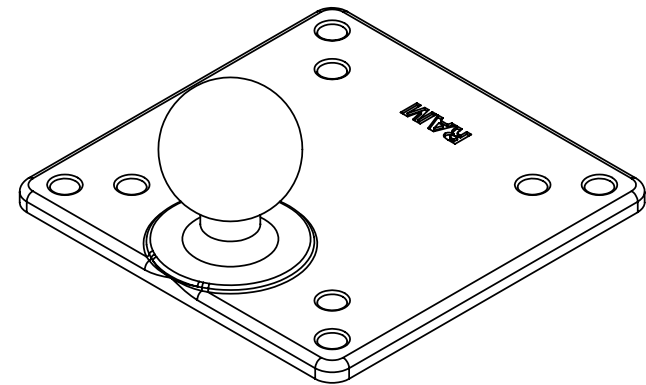
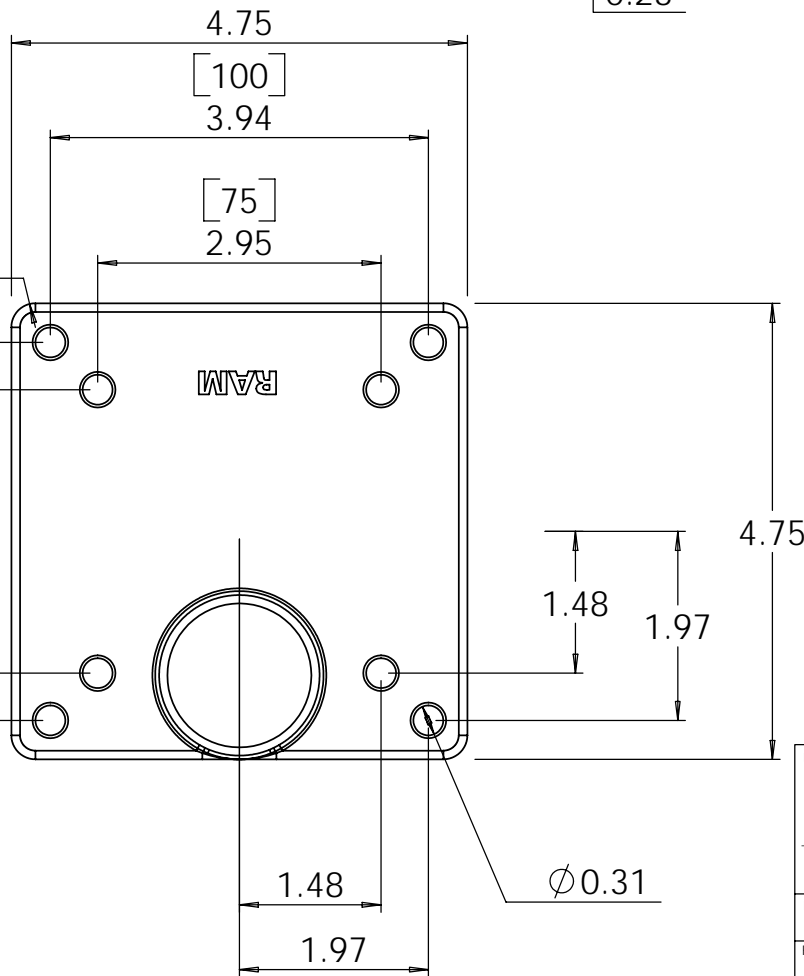
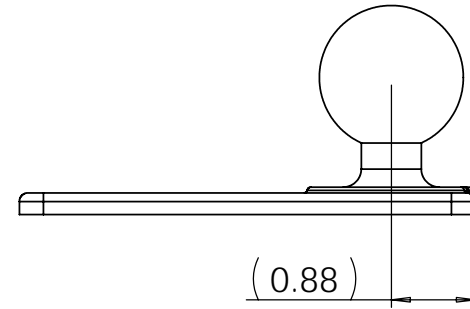
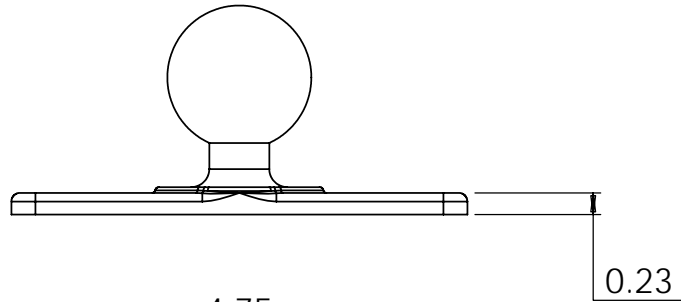


THE INFORMATION CONTAINED IN THIS DRAWING IS THE SOLE PROPERTY OF NATIONAL PRODUCTS INC. ANY REPRODUCTION IN PART OR WHOLE WITHOUT THE WRITTEN PERMISSION OF NATIONAL PRODUCTS INC. IS PROHIBITED.



UNLESS OTHERWISE SPECIFIED DIMENSIONS ARE IN INCHES TOLERANCES ARE: FRACTIONS DECIMALS ANGLES + - 1/32 .XX + -.06 + - 1 DEG. .XXX + -.030	CAD GENERATED DRAWING, DO NOT MANUALLY UPDATE		NATIONAL PRODUCTS INC. 1017 S. ELMGROVE ST. SEATTLE, WA 98108	
	APPROVALS	DATE	RAM 4 3/4" SQUARE BASE WITH 100 X 100 & 75 X 75 HOLES (VESA) 1 1/2" DIA. BALL	
	DRAWN JDC	08/18/00		
	CHECKED CMR	04/20/01		
MATERIAL ALUMINUM	RESP ENG			
FINISH BLACK POWDER COAT	MFG ENG			
DO NOT SCALE DRAWING	QUAL ENG			
SCALE	DWG. NO.	REV.		
	A	RAM-246		
CAD FILE: RAM246	SHEET 1	OF 1		