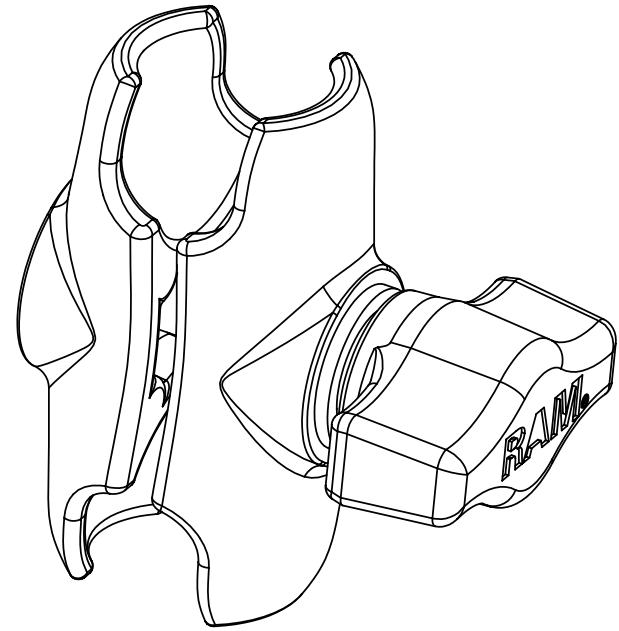
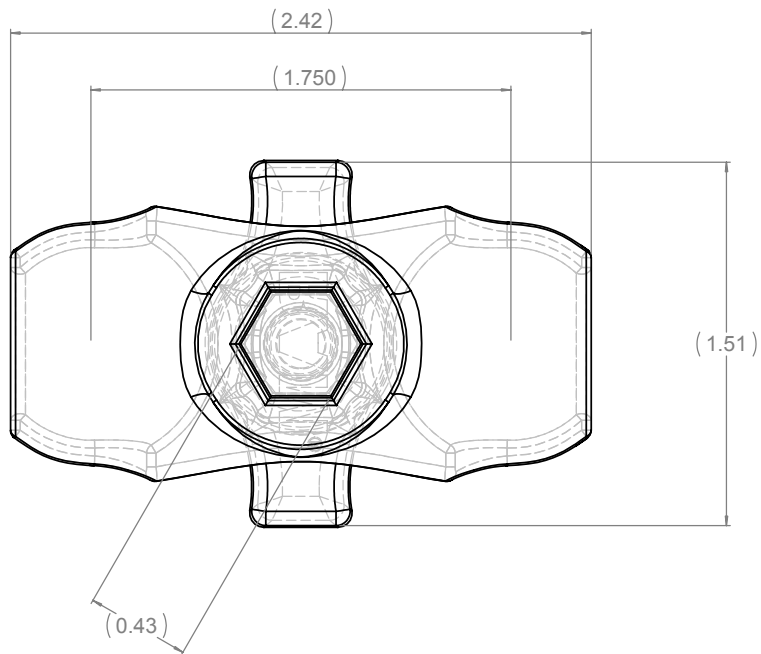
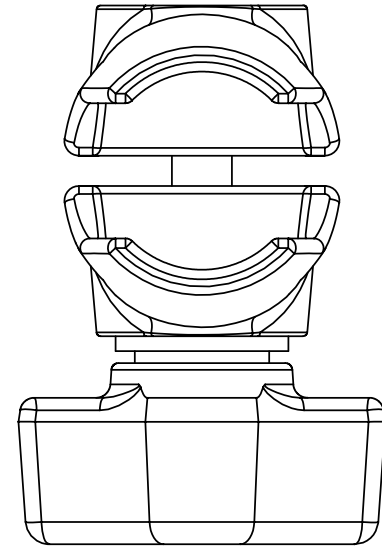
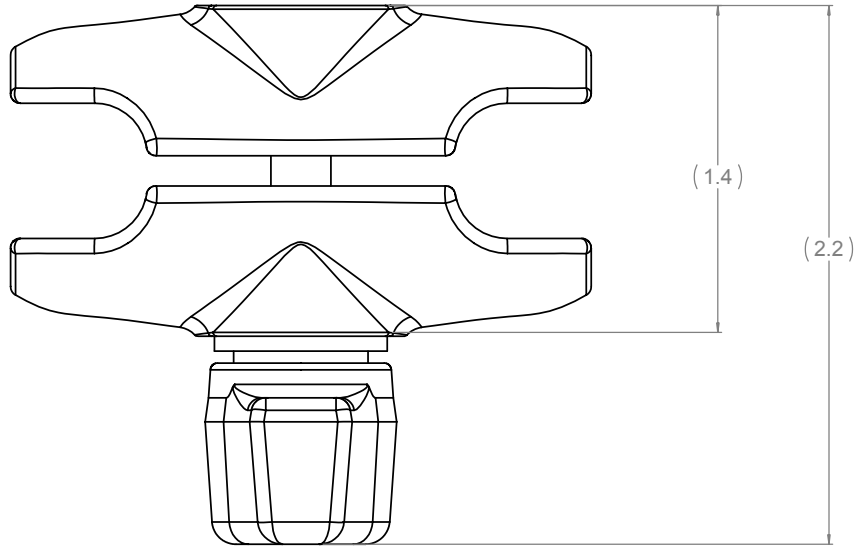


THE INFORMATION CONTAINED IN THIS DRAWING IS THE SOLE PROPERTY OF NATIONAL PRODUCTS INC. ANY REPRODUCTION IN PART OR WHOLE WITHOUT THE WRITTEN PERMISSION OF NATIONAL PRODUCTS INC. IS PROHIBITED.

| REVISIONS | | DATE | APPROVED |
|-----------|-------------|------|----------|
| REV. | DESCRIPTION | | |
| | | | |
| | | | |



| | | | |
|--|--|------------------------|---|
| UNLESS OTHERWISE SPECIFIED: DIMENSIONS ARE IN INCHES TOLERANCES ARE: FRACTIONS: DECIMALS ANGLES +/- 1/32 .XX+-.06 +/- 1 DEG. .XXX+-.030 | CAD GENERATED DRAWING. DO NOT MANUALLY UPDATE | NATIONAL PRODUCTS INC. | |
| MATERIAL: ALUMINUM | APPROVALS: JDC 10/24/02 | DATE: 10/26/02 | RAM MOUNT WITH 2- 2.43" DIA. BASES & 1.5" DIA. RUBBER BALLS D LENGTH ARM |
| FINISH: BLACK POWDER COAT | CHECKED: CMR 10/26/02 | RESP ENG: | OWG. NO.: RAM-B-201-A |
| DO NOT SCALE DRAWING | MFG ENG: | QUAL ENG: | SCALE: 1 TO 1 CAD FILE: RAMB201A SHEET 1 OF 1 |