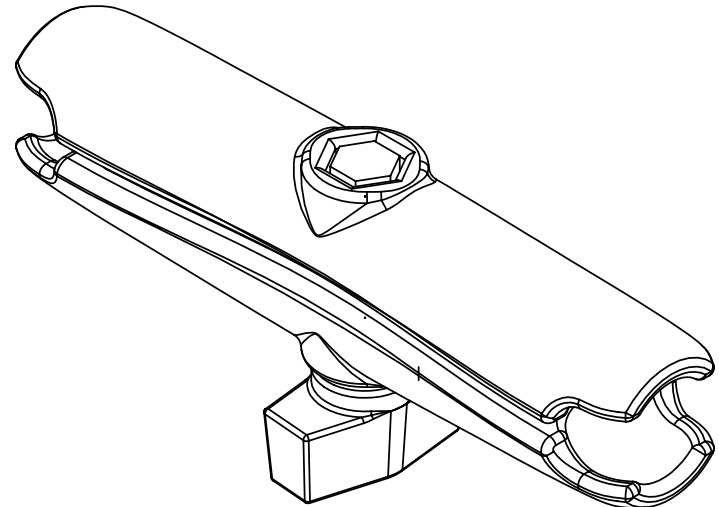
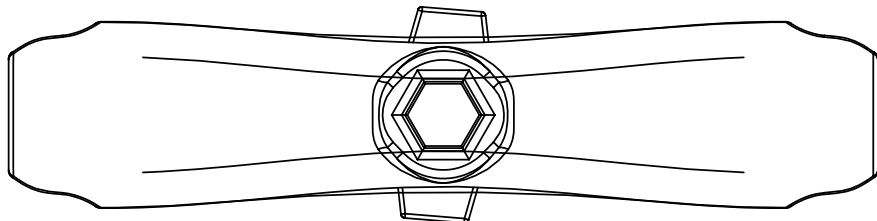
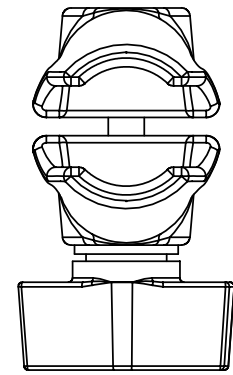
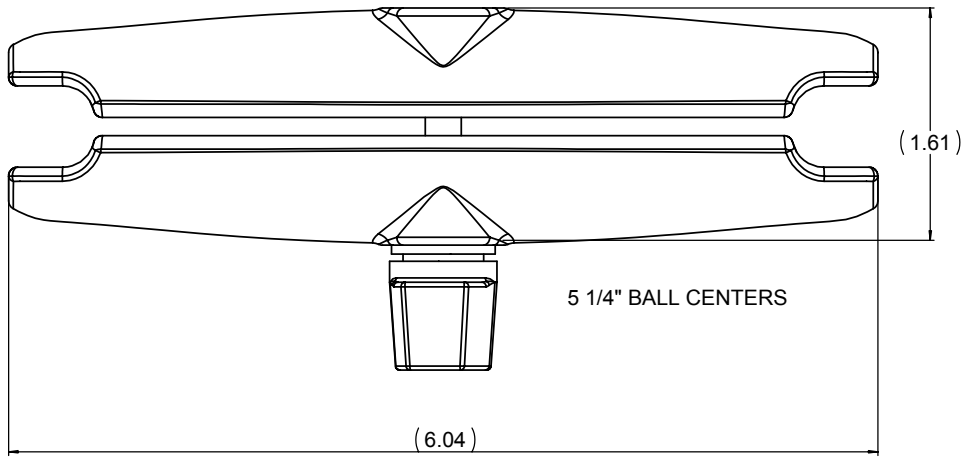


THE INFORMATION CONTAINED IN THIS DRAWING IS THE SOLE PROPERTY OF NATIONAL PRODUCTS INC. ANY REPRODUCTION IN PART OR WHOLE WITHOUT THE WRITTEN PERMISSION OF NATIONAL PRODUCTS INC. IS PROHIBITED.

| REV. |  | DESCRIPTION | REVISIONS | DATE | APPROVED |
|------|--|-------------|-----------|------|----------|
|      |  |             |           |      |          |
|      |  |             |           |      |          |



|  |   |          |   |                                  |
|--|---|----------|---|----------------------------------|
| UNLESS OTHERWISE SPECIFIED<br>DIMENSIONS ARE IN INCHES<br>TOLERANCES ARE:<br>FRACTIONS DECIMALS ANGLES<br>+/- 1/32 .XXX+ .06 + .1 DEG.<br>.XXX+ .030 | C-AD GENERATED DRAWING.<br>DO NOT MANUALLY UPDATE |          | NATIONAL PRODUCTS INC.  |                                  |
|  | APPROVALS   | DATE     | RAM C LENGTH DOUBLE<br>SOCKET ARM FOR 1" DIA.<br>RUBBER BALLS |                                  |
|  | DRAWN JDC   | 03/20/01 | SIZE  | SWG. NO. RAM-B-201-C             |
|  | CHECKED CMR                                       | 04/20/01 | SCALE 1 TO 1  | CAD. FILE: RAMB201C SHEET 1 OF 1 |
| MATERIAL ALUMINUM  | RESP. ENG.  | DATE     | REV.  |                                  |
| FINISH BLACK POWDER COAT   | MFG. ENG.   |          |   |                                  |
| DO NOT SCALE DRAWING   | QUAL. ENG.  |          |   |                                  |