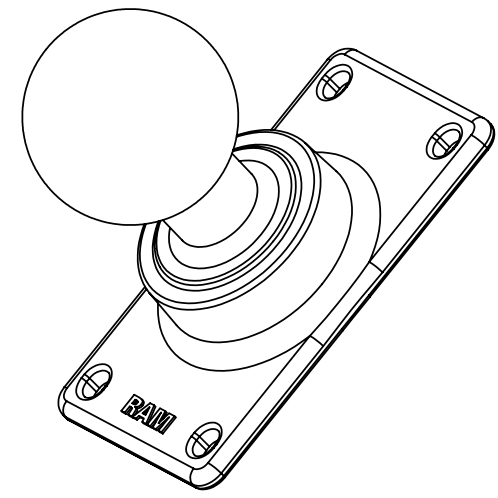
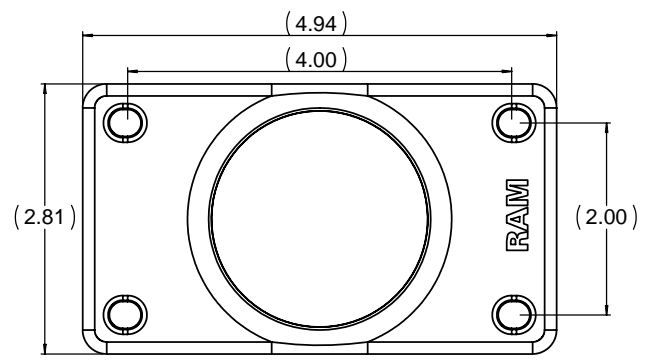
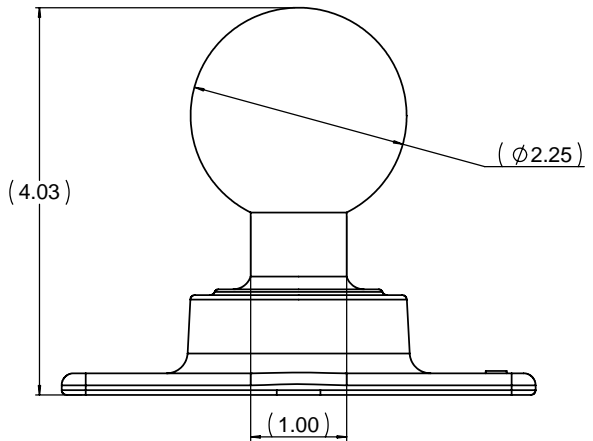


THE INFORMATION CONTAINED IN THIS DRAWING IS THE SOLE PROPERTY OF NATIONAL PRODUCTS INC. ANY REPRODUCTION IN PART OR WHOLE WITHOUT THE WRITTEN PERMISSION OF NATIONAL PRODUCTS INC. IS PROHIBITED.

REV		DESCRIPTION	REVISIONS	DATE	APPROVED



UNLESS OTHERWISE SPECIFIED DIMENSIONS ARE IN INCHES TOLERANCES ARE: FRACTIONS: DECIMALS: ANGLES: + 1/32 - .003 + .1 DEG. .XXX - .010	CAD GENERATED DRAWING. DO NOT MANUALLY UPDATE		NATIONAL PRODUCTS INC.	
	APPROVALS	DATE	RAM 2 3/16" X 5" ADAPTER PLATE WITH 2 1/4" DIAMETER RUBBER BALL	
MATERIAL: ALUMINUM	DRAWN: JDC	DATE: 10/19/07	CHECKED: CMR	DATE: 10/19/07
FRESH: BLACK POWDERCOAT	DESIGN ENG:	DATE:	MANUFACTURING:	DATE:
DO NOT SCALE DRAWING	QUAL ENG:	DATE:	SCALE: 1 TO 1	CAD FILE: RMRD177

RAM-D-243
SHEET 1 OF 1