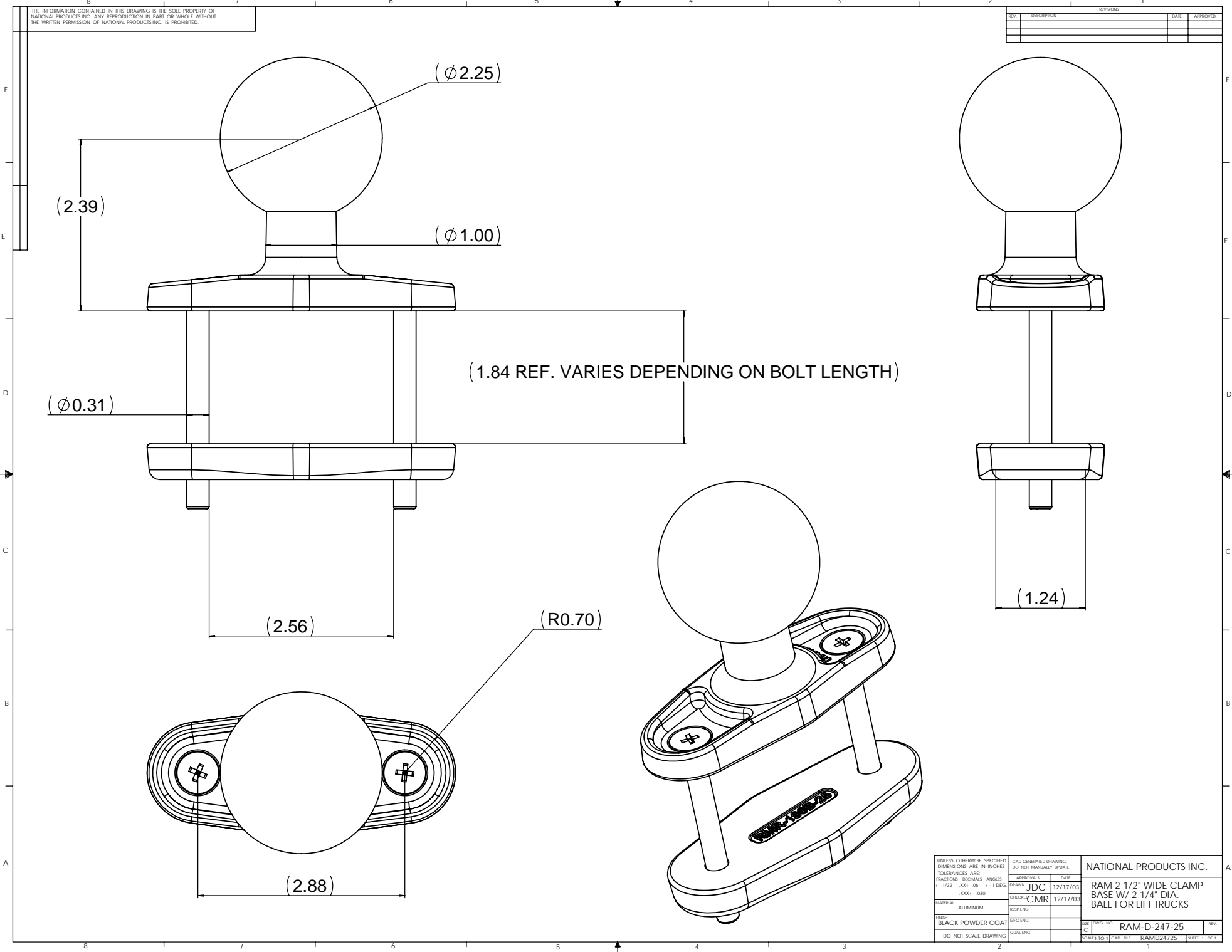


THE INFORMATION CONTAINED IN THIS DRAWING IS THE SOLE PROPERTY OF NATIONAL PRODUCTS INC. ANY REPRODUCTION IN PART OR WHOLE WITHOUT THE WRITTEN PERMISSION OF NATIONAL PRODUCTS INC. IS PROHIBITED.

REVISIONS		DATE	APPROVED
REV.	DESCRIPTION		



UNLESS OTHERWISE SPECIFIED DIMENSIONS ARE IN INCHES TOLERANCES ARE: FRACTIONS DECIMALS ANGLES +/- 1/32 XXX+00 +1 DEG. XXX-0.030	CAD GENERATED DRAWING DO NOT MANUALLY UPDATE APPROVALS: _____ DATE _____ DRAWN JDC 12/17/03 CHECKED CMR 12/17/03 DESIGNED _____ DATE _____	<b>NATIONAL PRODUCTS INC.</b> <b>RAM 2 1/2" WIDE CLAMP</b> <b>BASE W/ 2 1/4" DIA.</b> <b>BALL FOR LIFT TRUCKS</b>
MATERIAL: ALUMINUM	FINISH: BLACK POWDER COAT	PART NO: RAM-D-247-25 SCALE: 1 TO 1 DRAWN: JDC CHECKED: CMR DESIGNED: _____ DATE: _____
DO NOT SCALE DRAWING		SHEET 1 OF 1 DRAWING NO: RAMD24725