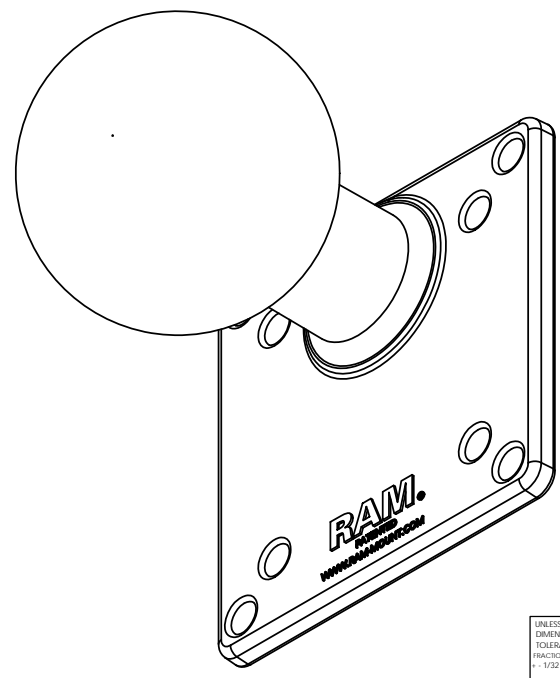
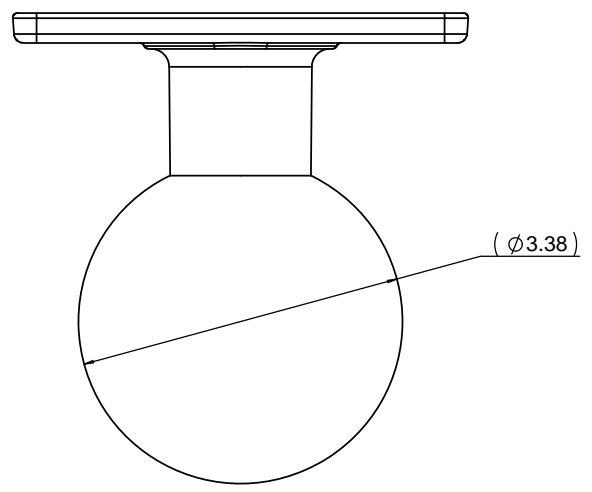
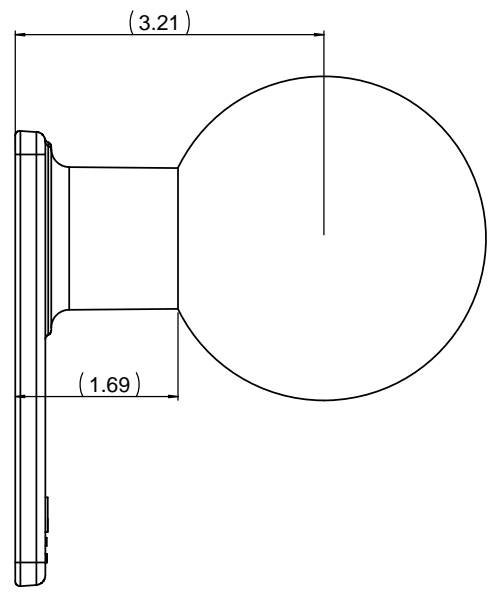
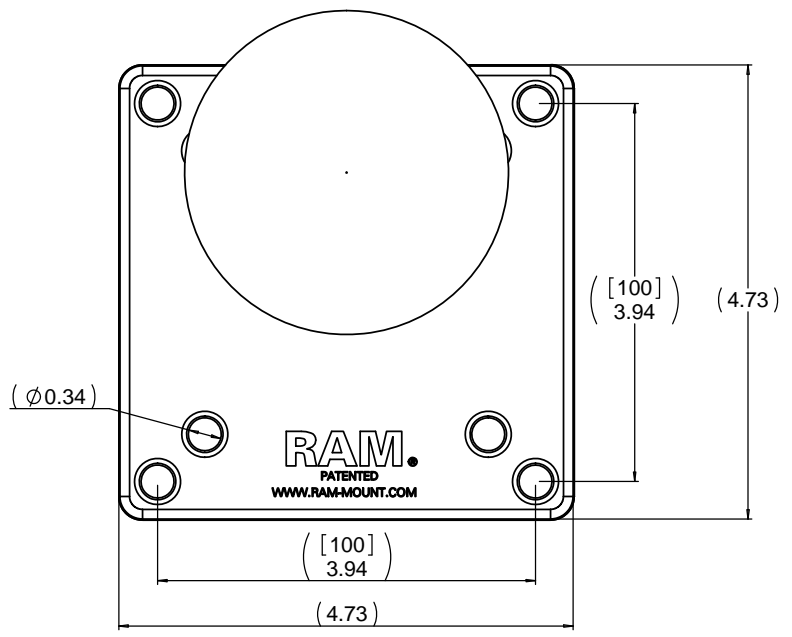


THE INFORMATION CONTAINED IN THIS DRAWING IS THE SOLE PROPERTY OF NATIONAL PRODUCTS INC. ANY REPRODUCTION IN PART OR WHOLE WITHOUT THE WRITTEN PERMISSION OF NATIONAL PRODUCTS INC. IS PROHIBITED.

REV		DESCRIPTION	REVISIONS	DATE	APPROVED



UNLESS OTHERWISE SPECIFIED DIMENSIONS ARE IN INCHES FRACTIONS DECIMALS ANGLES + 1/32 -XX+ .03 + -1 DEG. XXX+ .010	CAD GENERATED DRAWING. DO NOT MANUALLY UPDATE		NATIONAL PRODUCTS INC.	
	APPROVALS	DATE	RAM SQUARE BASE WITH 75 MM AND 100MM VESA HOLE PATTERN	
	DRAWN JDC	11/07/07	SCALE 1 TO 1	
	CHECKED CMR	11/07/07	CADD FILE: RMRE176	
MATERIAL: ALUMINUM & RUBBER	DESIGNED BY	DATE	REV	
FINISH: BLACK	MFG ENG			
DO NOT SCALE DRAWING	QUAL ENG			