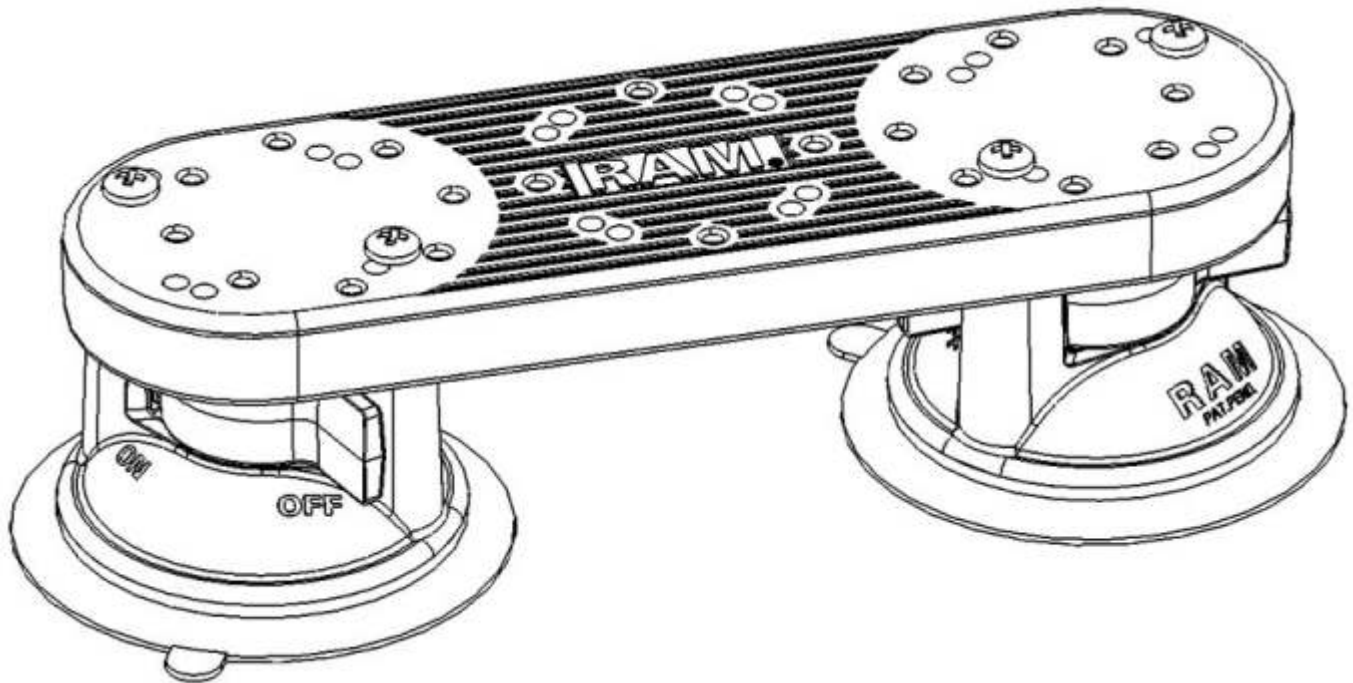


# RAP-333-224-1 Assembly Instructions



RAP-333-224-1  
ASSEMBLED

If you enjoyed this product, and want to find out more about our 2,200 other mounting solutions go to [www.ram-mount.com](http://www.ram-mount.com) or call us at (206) 763-8361.



National Products Inc. 1205 S. Orr St. Seattle, WA 98108  
Phone: (206) 763-8361 Fax: (206) 763-9615 [www.ram-mount.com](http://www.ram-mount.com)

# RAP-333-224-1 PARTS LIST

A- 1 QTY. RAP-333 TRIPLE BASE ADAPTER

B- 2 QTY. PLASTIC SPACERS

C- 2 QTY. RAP- 224-1 SUCTION CUP WITH TWIST LOCK

D- 4 QTY. #10 X 1 ½" LONG STST SHEET METAL SCREWS

**NOTE:** Must use mounting holes indicated in diagram.  
Do not over tighten.

