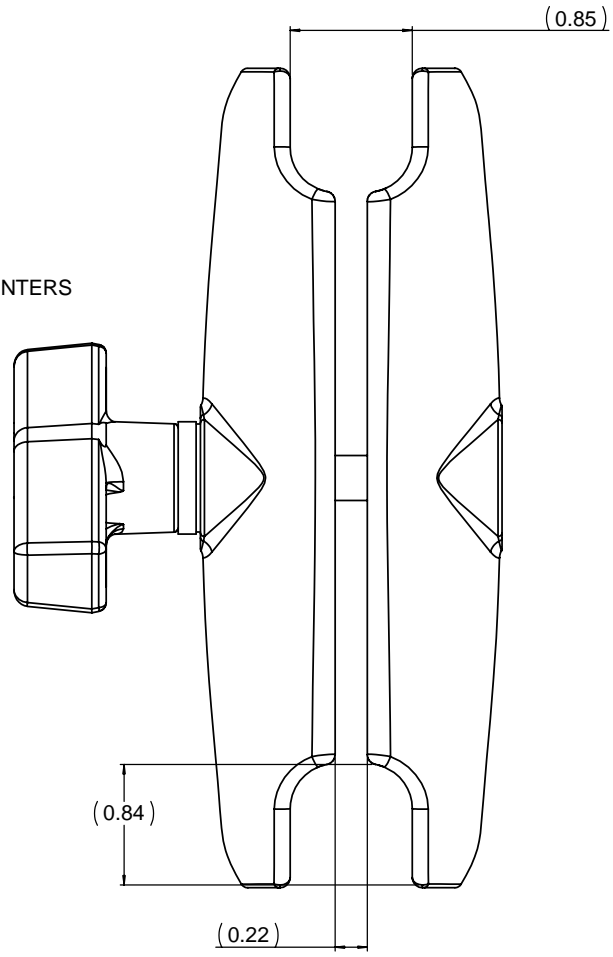
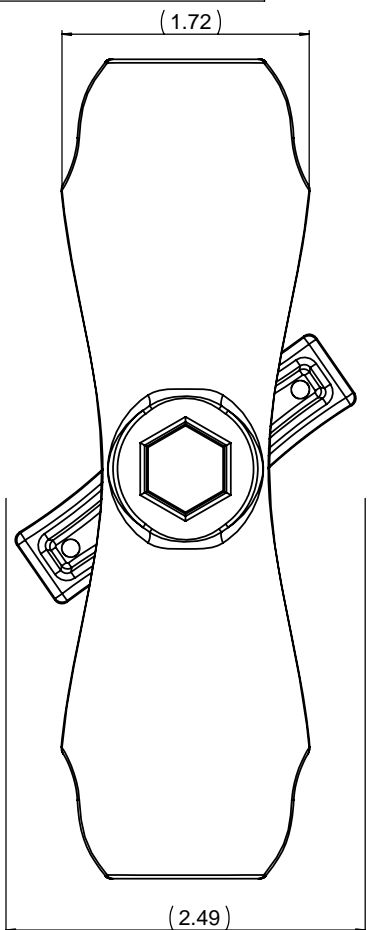
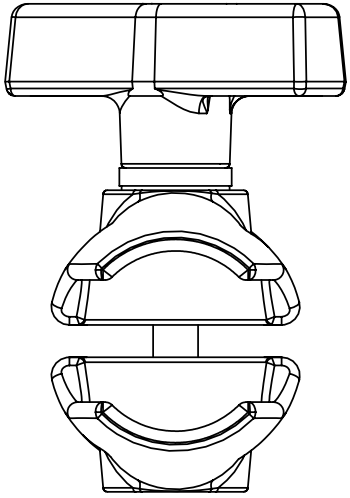
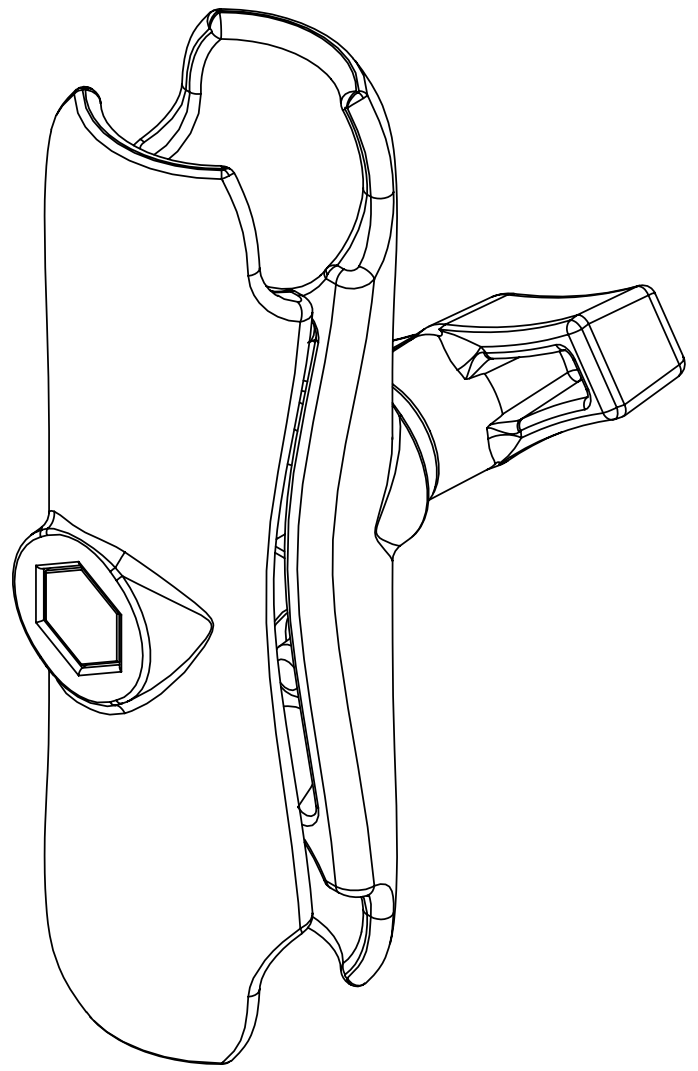


THE INFORMATION CONTAINED IN THIS DRAWING IS THE SOLE PROPERTY OF NATIONAL PRODUCTS INC. ANY REPRODUCTION IN PART OR WHOLE WITHOUT THE WRITTEN PERMISSION OF NATIONAL PRODUCTS INC. IS PROHIBITED.

REV	DESCRIPTION	REVISIONS	DATE	APPROVED



4 5/8" BALL CENTERS



UNLESS OTHERWISE SPECIFIED DIMENSIONS ARE IN INCHES TOLERANCES ARE: FRACTIONS: DECIMALS ANGLES + 1/32 - .006 + .1 DEG. XXX - .030	CAD GENERATED DRAWING. DO NOT MANUALLY UPDATE		NATIONAL PRODUCTS INC.	
	APPROVALS	DATE	RAM DOUBLE SOCKET ARM FOR 1.5" DIA. BALLS	
MATERIAL: ALUMINUM	DRAWN JDC	01/19/01	CHECKED CMR	04/20/01
FINISH: BLACK POWDER COAT	DESIGN ENG		MANUFACTURING	
DO NOT SCALE DRAWING	QUAL ENG		SCALE 1 TO 1	CAD FILE: RAMZ01
			ISS: SWG: NO: C	REV: RAM-201
				SHEET 1 OF 1