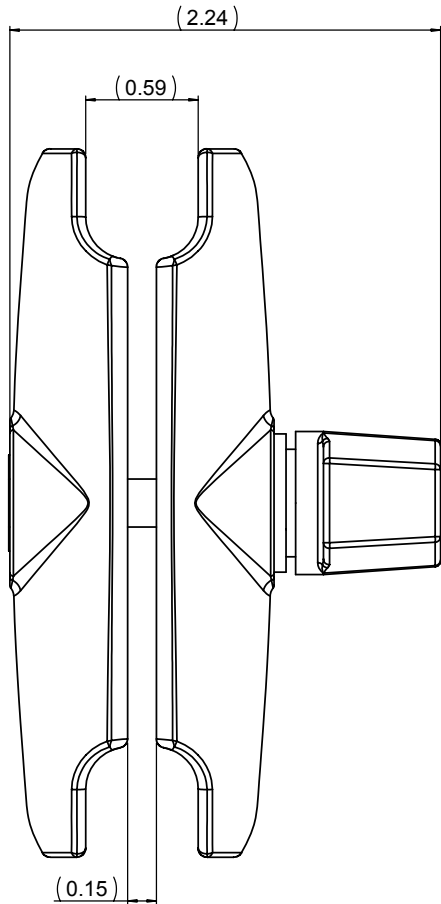
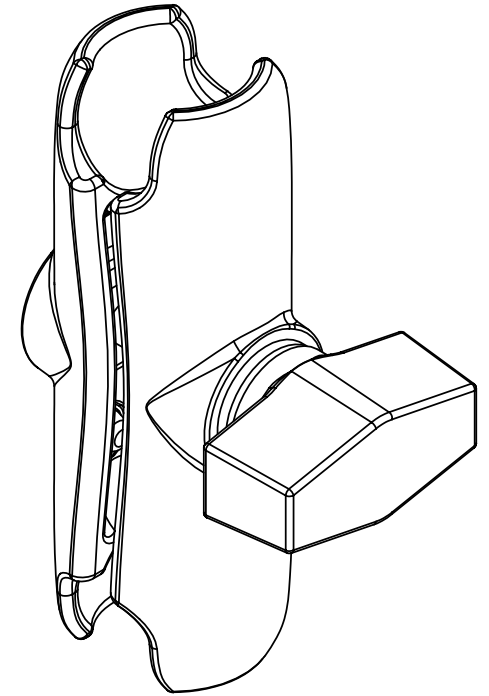
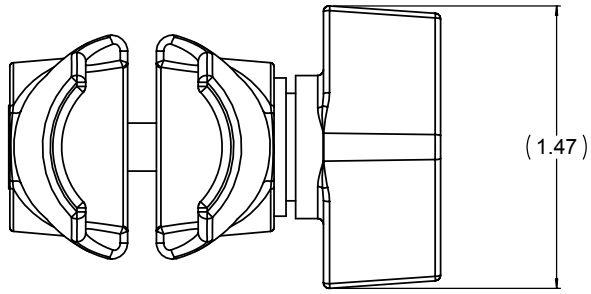


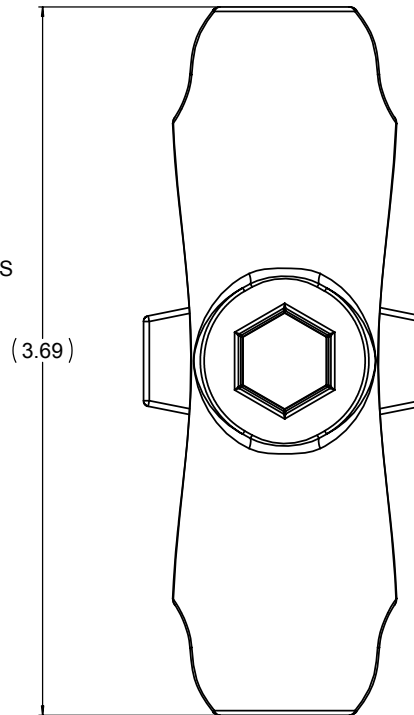
8 7 6 5 4 3 2 1

THE INFORMATION CONTAINED IN THIS DRAWING IS THE SOLE PROPERTY OF NATIONAL PRODUCTS INC. ANY REPRODUCTION IN PART OR WHOLE WITHOUT THE WRITTEN PERMISSION OF NATIONAL PRODUCTS INC. IS PROHIBITED.

REV.	DESCRIPTION	DATE	APPROVED



3" BALL CENTERS



UNLESS OTHERWISE SPECIFIED DIMENSIONS ARE IN INCHES TOLERANCES ARE: FRACTIONS: DECIMALS ANGLES +/- 1/32 .XXX+-.06 +-.1 DEG. .XXX+-.030	CAD GENERATED DRAWING. DO NOT MANUALLY UPDATE	NATIONAL PRODUCTS INC.	
MATERIAL: ALUMINUM	APPROVALS	DATE	
FINISH: BLACK POWDER COAT	DRAWN: JDC	04/20/01	
DO NOT SCALE DRAWING	CHECKED: CMR	04/20/01	
	RESP ENG		
	MFG ENG		
	QUAL ENG		
	SIZE	DWG. NO.	REV.
	C	RAM-B-201	
	SCALE 1 TO 1	CAD FILE: RAMB201	SHEET 1 OF 1