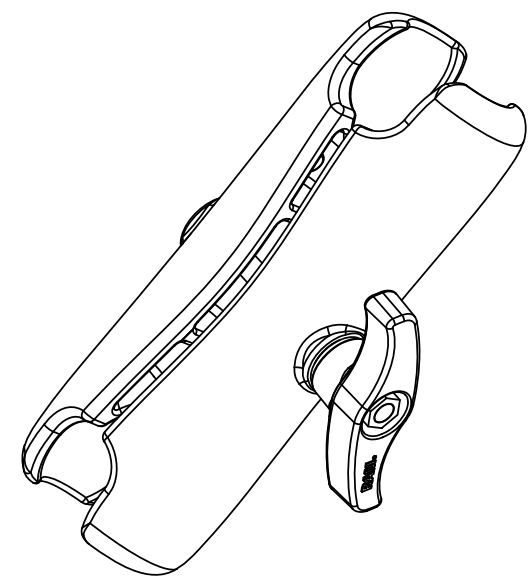
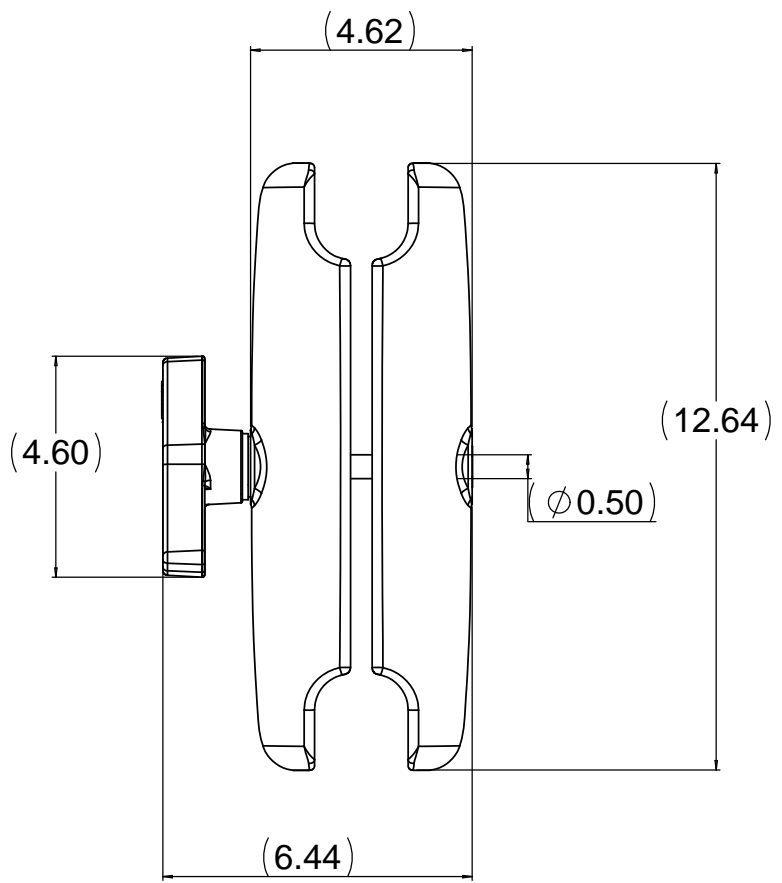
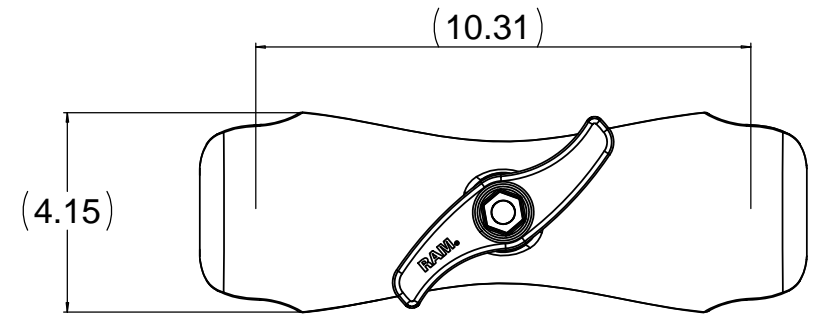
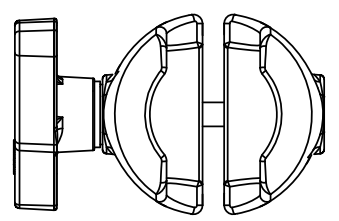


8 7 6 5 4 3 2 1

THE INFORMATION CONTAINED IN THIS DRAWING IS THE SOLE PROPERTY OF NATIONAL PRODUCTS INC. ANY REPRODUCTION IN PART OR WHOLE WITHOUT THE WRITTEN PERMISSION OF NATIONAL PRODUCTS INC. IS PROHIBITED.

REV	DESCRIPTION	REVISIONS	DATE	APPROVED



UNLESS OTHERWISE SPECIFIED DIMENSIONS ARE IN INCHES TOLERANCES ARE: FRACTIONS: DECIMALS ANGLES + 1/32 - XX + .03 + -1 DEG. .XXX - .010	CAD GENERATED DRAWING. DO NOT MANUALLY UPDATE		NATIONAL PRODUCTS INC.	
	APPROVALS	DATE	RAM E SIZE DOUBLE SOCKET ARM FOR 3 3/8" BALLS	
	DRAWN JDC	03/26/07	MFG ENG	
	CHECKED CMR	03/26/07	QUAL ENG	
MATERIAL: ALUMINUM	FINISH: BLACK	SCALE: 1 TO 1	CAD: FILE: RAME201	SHEET 1 OF 1