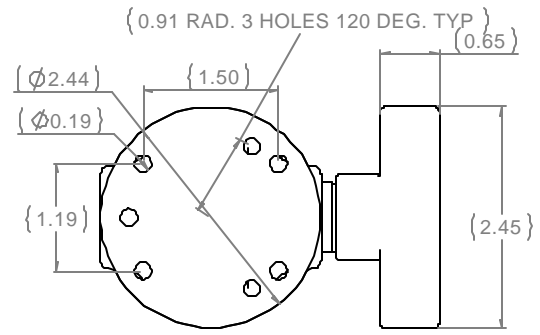
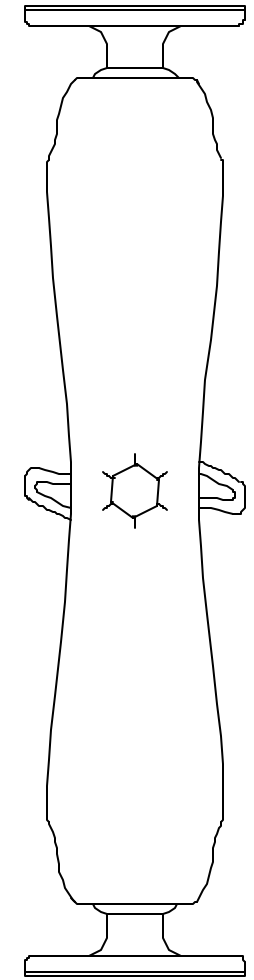
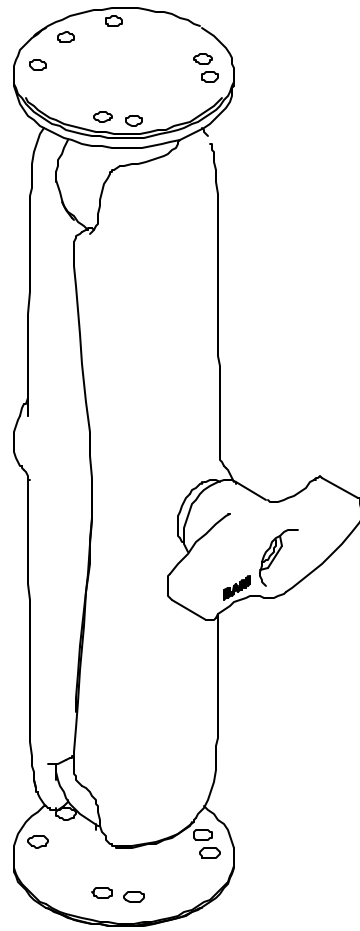
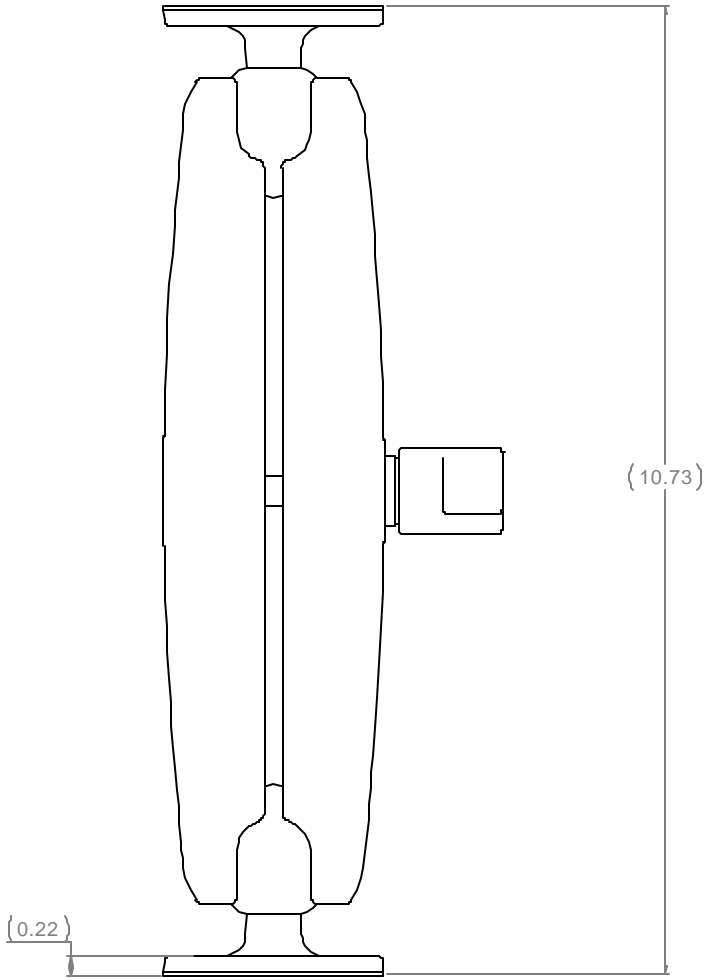


THE INFORMATION CONTAINED IN THIS DRAWING IS THE SOLE PROPERTY OF NATIONAL PRODUCTS INC. ANY REPRODUCTION IN PART OR WHOLE WITHOUT THE WRITTEN PERMISSION OF NATIONAL PRODUCTS INC. IS PROHIBITED.

REV	DESCRIPTION	REVISION	DATE	APPROVED



UNLESS OTHERWISE SPECIFIED DIMENSIONS ARE IN INCHES TOLERANCES ARE: FRACTIONS DECIMALS ANGLES -- 1/32 -- XXX - .00 -- -1 DIA XXX - .030	CAD GENERATED DRAWING DO NOT MANUALLY UPDATE		NATIONAL PRODUCTS INC.	
	APPROVALS	DATE	RAM MOUNT WITH 2 - 2.43" DIA. BASES & 1.5" DIA. RUBBER BALLS D LENGTH ARM	
	DRAWN: JDC	04/20/01		
	CHECKED: CMR	04/20/01	REV	1
MATERIAL: ALUMINUM	REP ENG	SCALE: 1 TO 1 (CAD FILE)	RAM101D	SHEET 1 OF 1
FRESH: BLACK POWDER COAT	ING ENG	DATE	REV	
DO NOT SCALE DRAWING	DWG ENG			