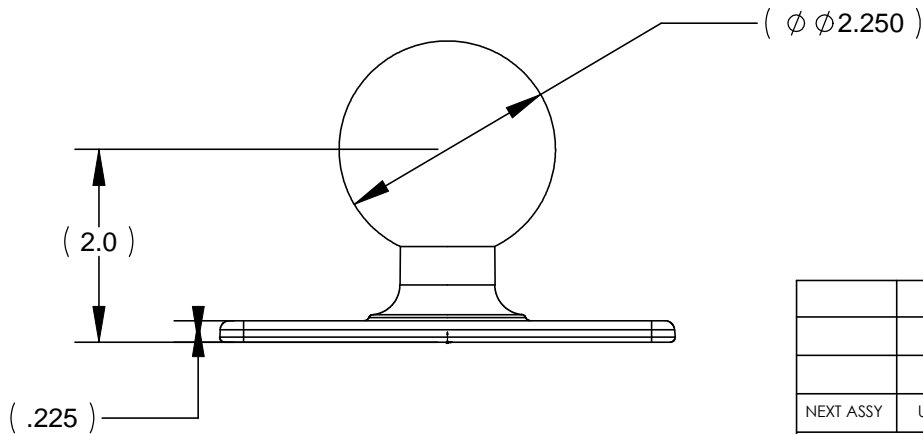
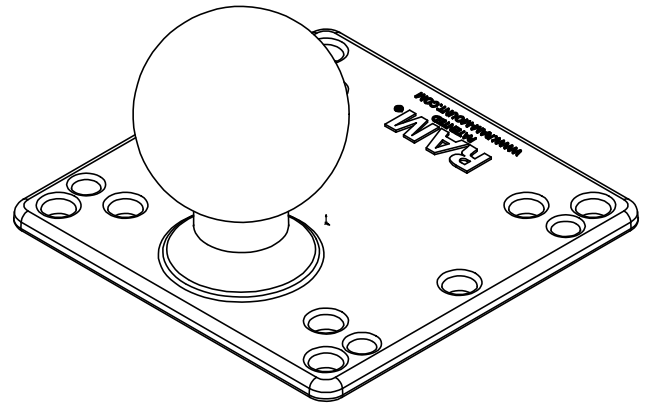
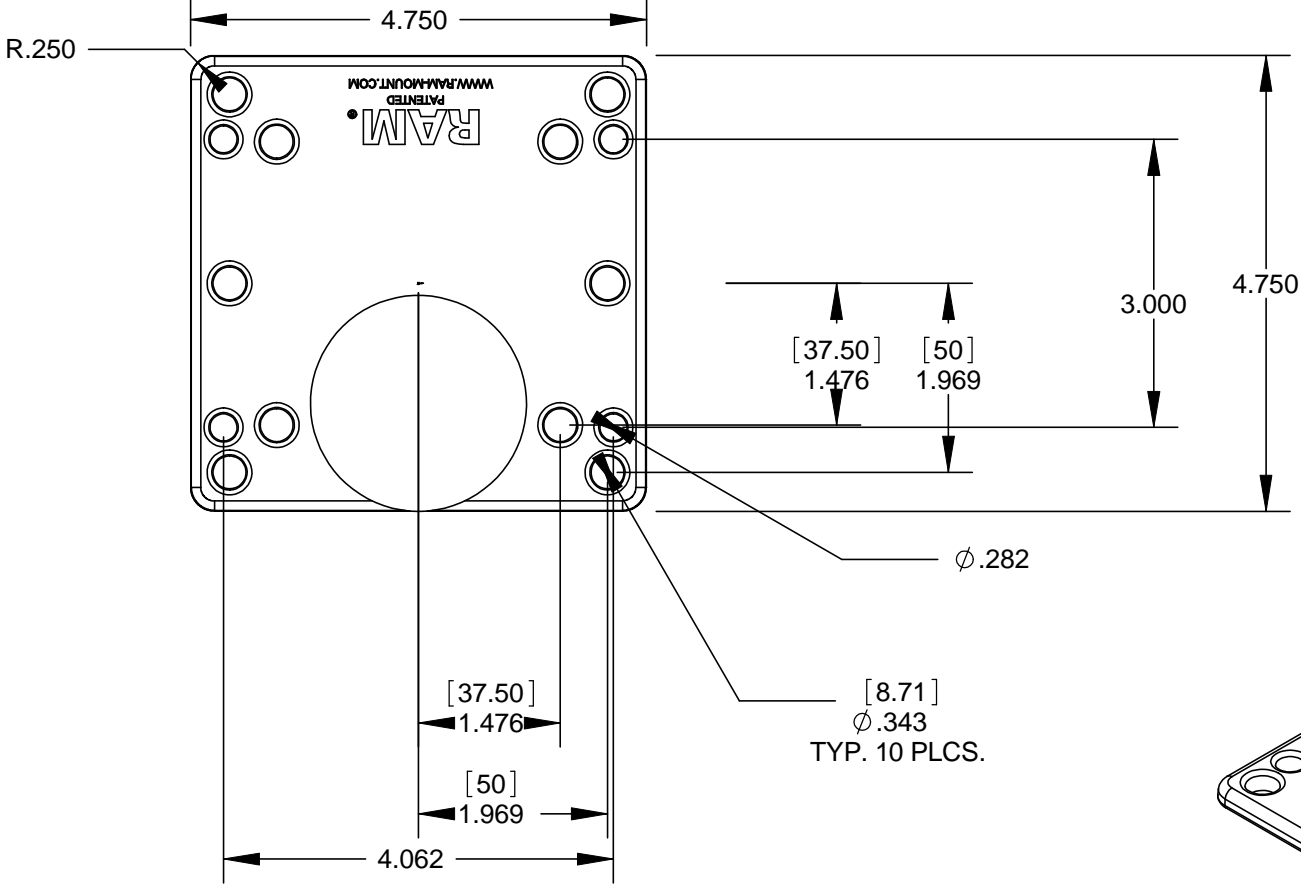


THE INFORMATION CONTAINED IN THIS DRAWING IS THE SOLE PROPERTY OF NATIONAL PRODUCTS INC. ANY REPRODUCTION IN PART OR WHOLE WITHOUT THE WRITTEN PERMISSION OF NATIONAL PRODUCTS INC. IS PROHIBITED.



ITEM NO.	PART OR IDENTIFYING NO.	NOMENCLATURE OR DESCRIPTION	MATERIAL SPECIFICATION	QTY REQD
PARTS LIST				
UNLESS OTHERWISE SPECIFIED DIMENSIONS ARE IN INCHES		CAD GENERATED DRAWING. DO NOT MANUALLY UPDATE	NATIONAL PRODUCTS INC. 8410 DALLAS AVE. S. SEATTLE, WA 98108	
TOLERANCES ARE:				
FRACTIONS	DECIMALS	ANGLES	RAM 4 3/4" SQ. BASE WITH 2 1/4" DIA. RUBBER BALL & 100 X 100 & 75 X 75 MIL. HOLES	
+ - 1/32	.XX+ -.03	+ - 1 DEG.		
	.XXX+ - .010			
		MATERIAL ALUMINUM	APPROVALS DRAWN JDC	DATE 01/21/09
		FINISH BLACK POWDER COAT	CHECKED AMH	01/21/09
NEXT ASSY	USED ON		RESP ENG	
APPLICATION		DO NOT SCALE DRAWING	MFG ENG	
			QUAL ENG	
		SIZE A	DWG. NO. RAM-D-246	
		SCALE	CAD FILE: RAM-D-246	SHEET 1 OF 1