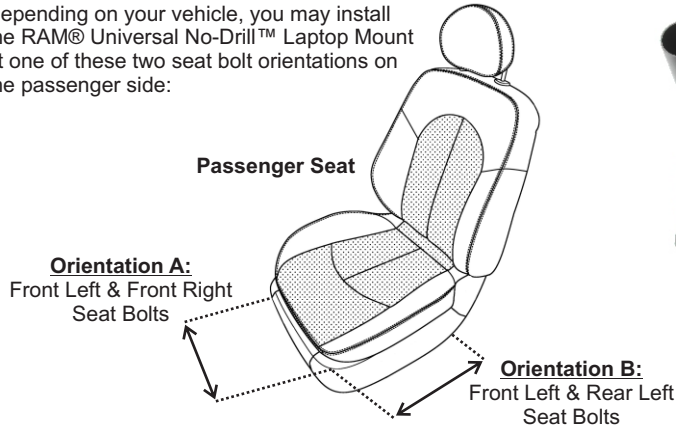


RAM® Universal No-Drill™ Laptop Mounting System Vehicle Compatibility Guide

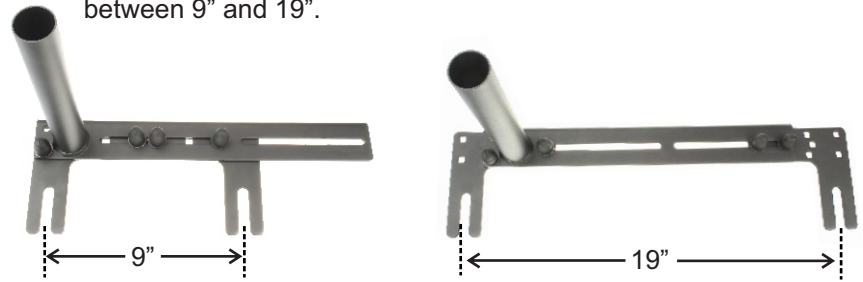
To determine if the RAM® Universal No-Drill™ Laptop Mounting System will install properly in your vehicle, carefully read and review the steps in this guide, while checking measurements in your vehicle.

1. Seat Bolt Orientation & Distance

Depending on your vehicle, you may install the RAM® Universal No-Drill™ Laptop Mount at one of these two seat bolt orientations on the passenger side:



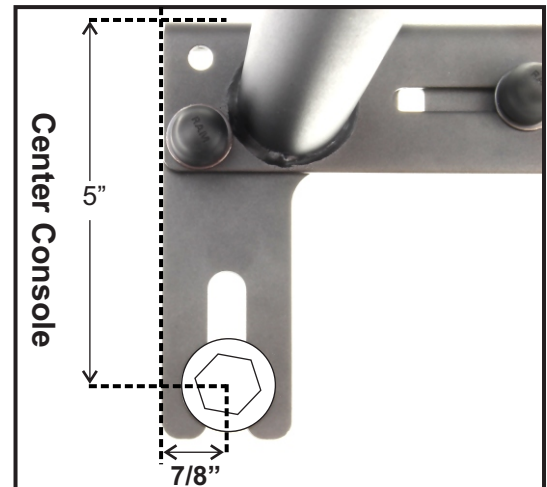
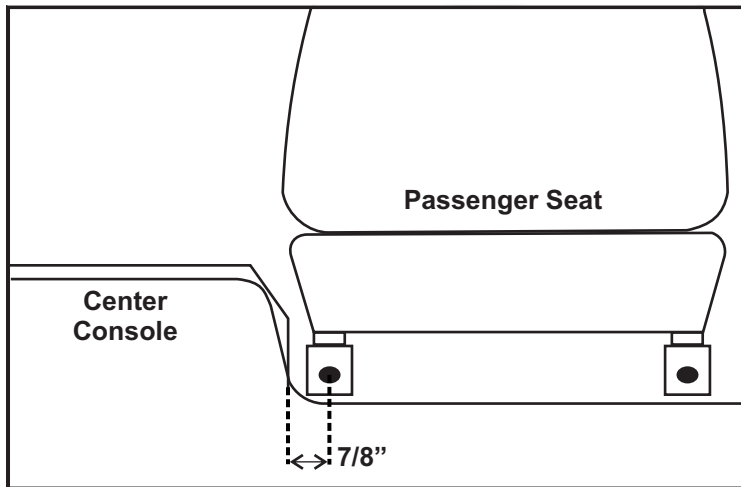
Seat bolt range must have a **center to center** distance between 9" and 19".



No matter what orientation you choose, the lower pole must be positioned closest to the front left corner of passenger seat.

2. Console Clearance

Identify the inner seat bolt closest to the center console. The distance between the **center** of this bolt and the console must be at least 7/8". This spacing is important for up to 5" in front of the center of the bolt.

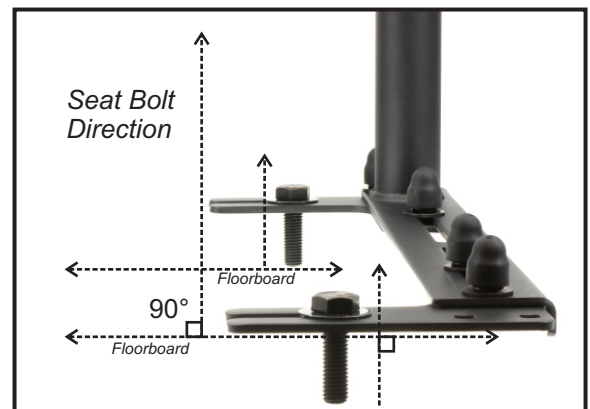


If you are using Orientation B from Step 1, the distance between the seat bolts and center console must be at least 5".

3. 90-Degree Seat Bolts

Your seat bolts should pass into the floorboard at 90-degrees from the floorboard surface.

Bolt direction may vary by up to 10-degrees, but any further variation will result in the Tele-Pole interfering with the dashboard or passenger seating area.



RAM Mounting Systems
8410 Dallas Ave S
Seattle, WA 98108
Phone: (206) 763-8361
Fax: (206) 763-9615
www.rammount.com
support@rammount.com

