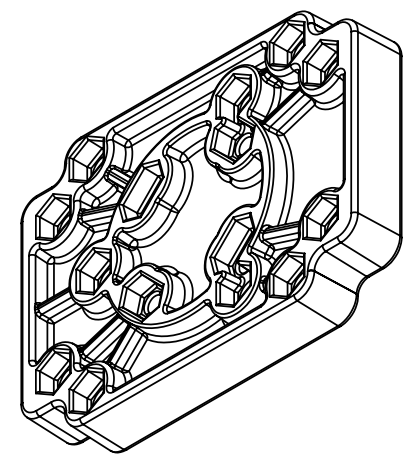
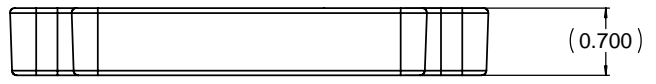
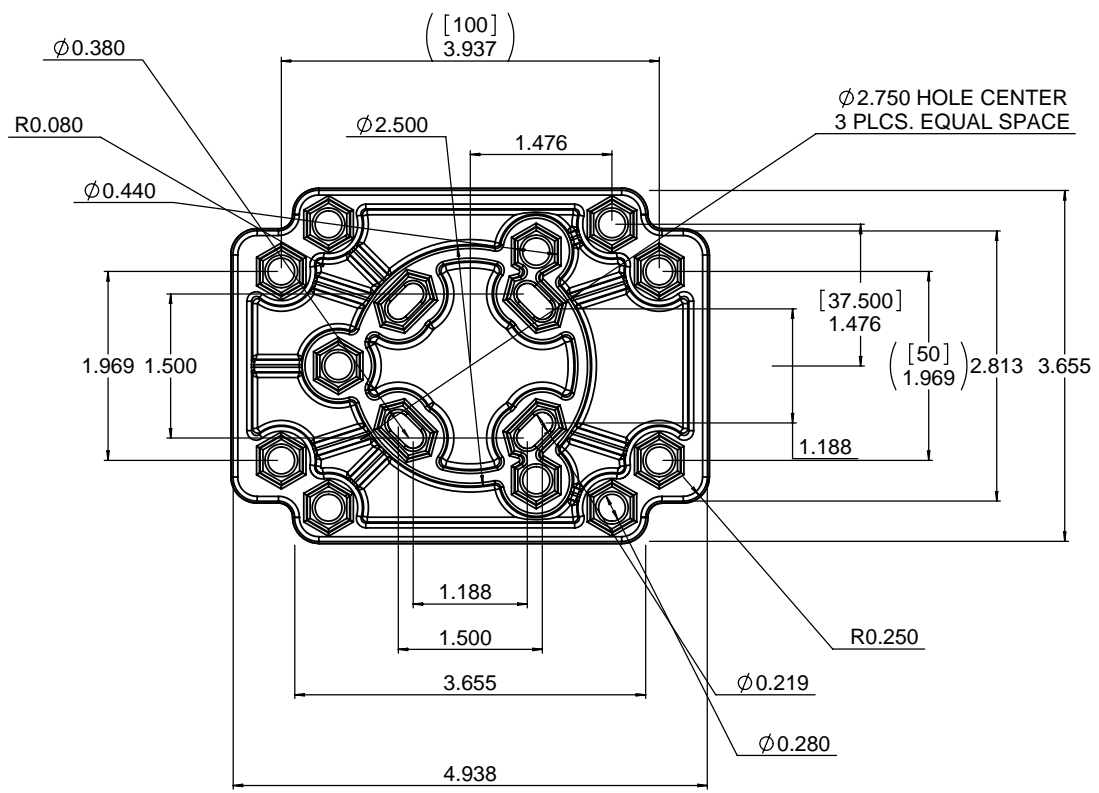


THE INFORMATION CONTAINED IN THIS DRAWING IS THE SOLE PROPERTY OF NATIONAL PRODUCTS INC. ANY REPRODUCTION IN PART OR WHOLE WITHOUT THE WRITTEN PERMISSION OF NATIONAL PRODUCTS INC. IS PROHIBITED.

REV		DESCRIPTION	REVISIONS	DATE	APPROVED



UNLESS OTHERWISE SPECIFIED DIMENSIONS ARE IN INCHES FRACTIONS: DECIMALS: ANGLES: + 1/32 XX + .03 + .1 DEG. XXX - .010	CAD GENERATED DRAWING. DO NOT MANUALLY UPDATE		NATIONAL PRODUCTS INC.	
	APPROVALS	DATE	RAM ELECTRONICS HOLE PATTERN ADAPTER PLATE	
MATERIAL COMPOSITE	DRAWN JDC	4/03/08	CHECKED CMR	4/03/08
FRESH BLACK	MEP ENG		DESIGN C	
DO NOT SCALE DRAWING	DUAL ENG		ISS. NO. RAP-356	REV.
			SCALE 1 TO 1	CAD. FILE: RPR352Z

8 7 6 5 4 3 2 1

F

E

D

C

B

A

8 7 6 5 4 3 2 1